

Dimensions in inches

Product	(A) Max. Overall Length (in.)	(B) Base to Top of Lamp (in.)	(C) Leg Spacing Pin to Pin (in.)
18W	22.50"	22.25"	1.625"

Incredible **70,000** hrs

GENERAL DESCRIPTION

Neptun's high performance LED Narrow U-Bend T8 tubes are designed for the replacement of existing T8 fluorescent lighting systems. The NUBT8-88 series tubes are offered in a variety of color temperatures for flexibility in all types of applications. The frosted lens allows for an evenly illuminated glow resembling existing fluorescent tubes. Very low temperature operation saves on HVAC costs and long life greatly reduces maintenance costs. The self-ballasted design allows for easy installation into most commonly used T-8 system fixtures.

APPLICATION


- Office Lighting
- School Lighting
- Healthcare Lighting
- Storage Lighting

STRUCTURE, MATERIALS, & FEATURES

- Aluminum backing for excellent thermal management.
- Frosted non yellowing polycarbonate lens for even glow. (Glare Free)
- Correlated Color Temperatures of 3500°K, 4100°K, & 5000°K.
- Mercury free design.
- No radiated EMI interference.
- 180 PCS High Output LED's.
- High power factor, low THD internal driver.
- InstantON flicker-free Cold Start and Hot Re-Start.
- Up to 15 years Maintenance free operation.
- 5 Year Warranty.

ORDERING INFORMATION

Sample Number: LED-NUBT8-88018-UNV-841-1P-R17D
 Custom options and accessories available. Please consult factory

Source	Series	Wattage	Voltage	Color Temp	Wiring Config.	Options
LED = LED	NUBT8-88 = Narrow U-Bend T8 Tubes	018 = 18 W	UNV = 120-277 VAC	835 = 3500°K 841 = 4100°K 850 = 5000°K	1P = Single Ended 2P = Dual Ended	R17D = Recessed Double Contact Caps 



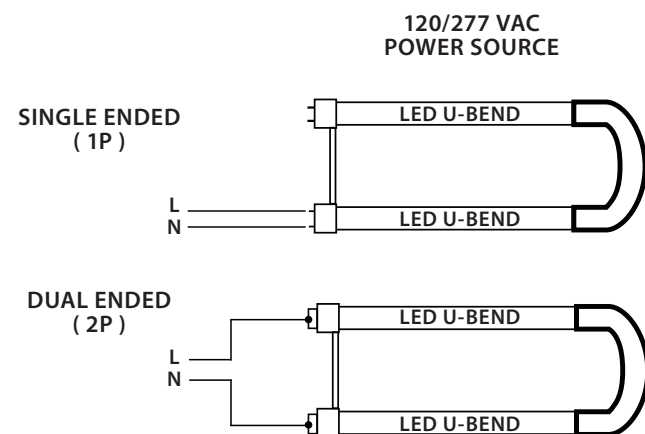
PRODUCT INFORMATION

Model No.	Watts	Input Line Current (Amp) @ 120 - 277	Power Factor	THD	CCT (°K)	CRI	Lumens	Lm/W	Leg Spacing (Inch)	Base	Beam Angle
LED-NUBT8-88018-835-UNV	18	0.157-0.068	>0.90	<20%	3,500°	>80	1,800	100	1-5/8"	Bi-Pin	120°
LED-NUBT8-88018-841-UNV	18	0.157-0.068	>0.90	<20%	4,100°	>80	1,836	102	1-5/8"	Bi-Pin	120°
LED-NUBT8-88018-850-UNV	18	0.157-0.068	>0.90	<20%	5,000°	>80	1,872	104	1-5/8"	Bi-Pin	120°

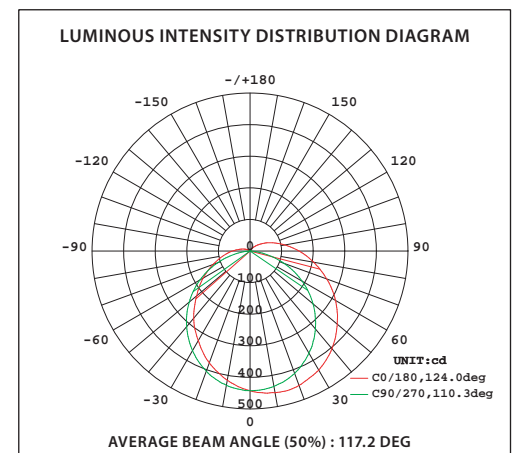
SPECIFICATIONS

- LED Driver Self-Ballasted
- Power Supply 350mA
- Start Method InstantON
- Hot Re-start InstantON
- Universal Input Line Voltage 120-277 VAC
- Input Line Frequency 50/60 Hz
- Driver Off-State Draw 0 Watts
- Sound Rating Class A
- LED / Driver System Life 70,000 Hrs.
- Lumen Maintenance @50,000Hrs > 70%
- Color Temperature Various
- Color Rendering Index (CRI) > 80
- Minimum Starting Temperature -35°C
- Maximum Starting Temperature 45°C
- Lumens per Watt > 100
- Shock / Vibration Resistant Yes
- Power Factor > 0.90
- Total Harmonic Distortion < 20%
- ETL Listed / UL Standard 1993 Yes
- FCC Compliance Part 15, Subp. C
- Warranty 5 Year

WIRING DIAGRAM (See Complete Installation Instructions)



PHOTOMETRICS



Neptun Light, Inc.
13950 Business Center Drive
Lake Forest, IL 60045
Fax: 847.735.8004

Neptun Light, Inc. reserves the right to change materials or modify the design of its product without notification as part of the company's continuing product improvement program.
©2002-2013 Neptun Light, Inc. All rights reserved.

Spec. Rev. 4-2015