

KETRA[®]

N3 Satellite

- Enables Ketra's luminaires to join the Ketra control network
- Wireless network for easy installation
- On-board content storage and astronomical time clock
- Multiple control inputs and outputs for integration of third-party control and lighting products
- Compatible with standard occupancy and daylight sensors



Ordering Code: N31RECBK

Performance Summary

Environmental

Operating Temperature	-20° to 50°C
Storage Temperature	-20° to 80°C
Humidity	0 - 95%, Non-condensing
Certification	UL, cUL, FCC Class A, RoHS
Location ¹	UL Damp Location, IP20

Mechanical

Weight	2.93 lbs, 1.33 kg
Housing Material	Formed steel, Polymer

Power

Load Ratings	
Per Unit: 16Amps @ 120 VAC, 60 Hz (20 Amps de-rated to 80%)	
Power Requirements	

Unit consumes 5W electrical power
Current: .041 Amps @ 120VAC
To compute total load, add 5W to sum of all connected luminaire power ratings.

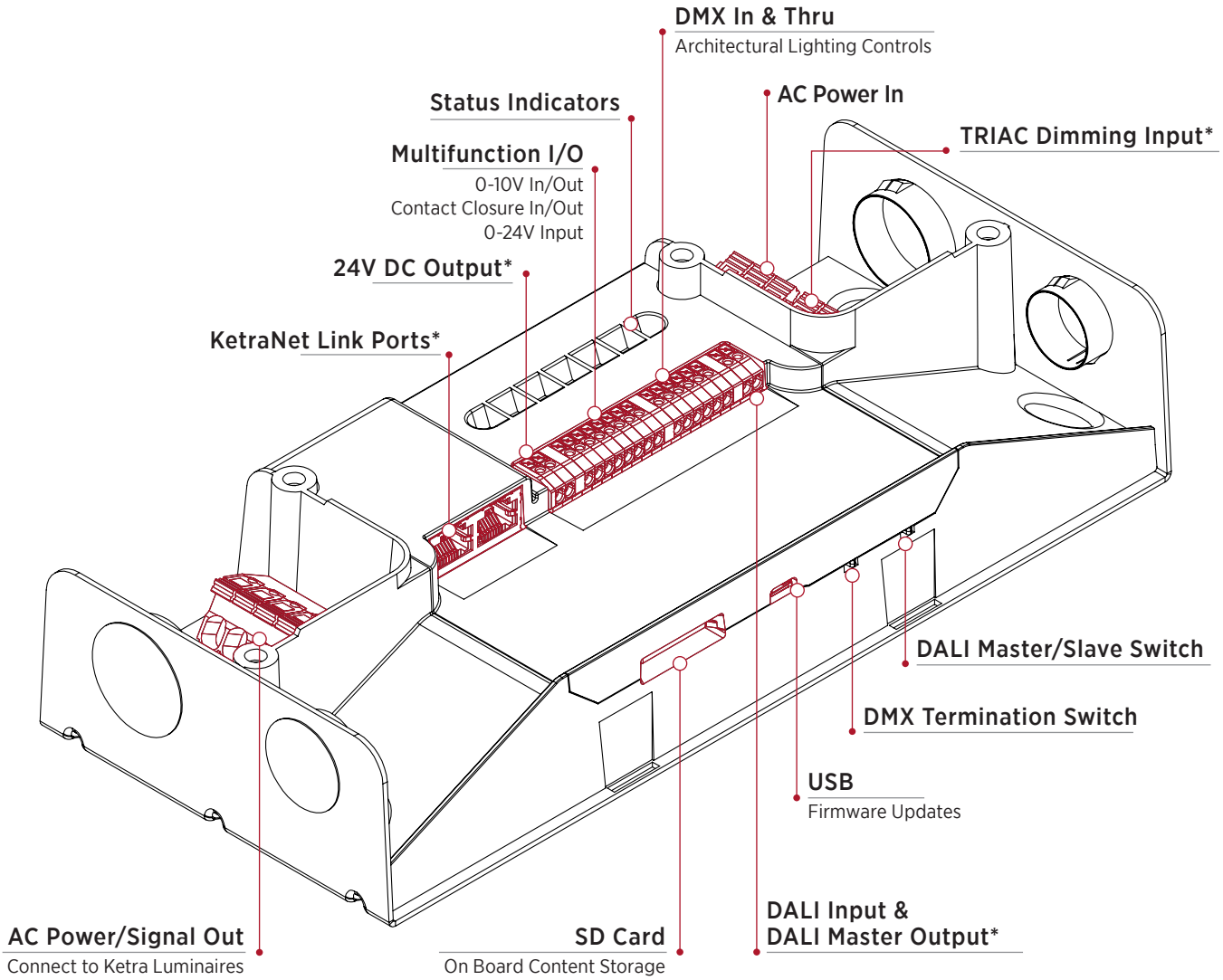
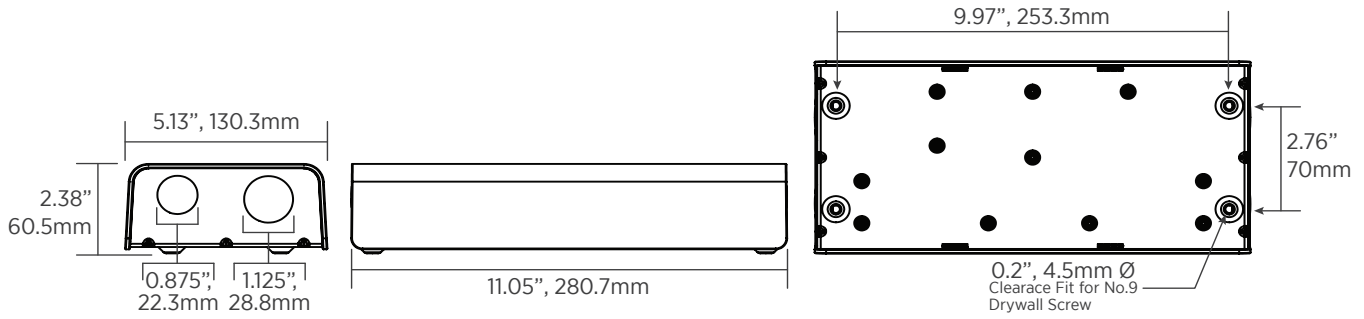
¹Product includes on-board wireless radio for communications. Do not enclose in metallic enclosure as it may impact radio performance.

770-000005-01-16

Specifications are subject to change without notice.

Enclosure + Connections

Connections (Class 1)	
AC Power In (3 Conductor 120V)	10-16AWG
AC Power Out (4 Conductor)	Standard Ketra Leader Cable or 10-16 AWG
Connections (Class 2)	
Multifunction I/O	16-24 AWG
0-10V Input/Output	
Contact Closure Input/Output	
0-24V Input	
DMX	
KetraNet Mesh™ Wireless	
USB Port	1 - Micro-B USB console port, for firmware updates



Future Releases Support

- *TRIAC Dimming Input
- *24V DC Out Port
- *RJ45 Ethernet Ports
- *DALI Input & DALI Master Output

Note: USB and SD card ports not accessible with cover installed. Allow clearance around product for access after installation.

770-000005-01-16

Specifications are subject to change without notice.