

400W
MH / HPS
Equivalent

HyLite LED High Performance Arc-Cob Bulbs - Up to 60,000 hour* Rated Performance Life. Outstanding Quality of Light with Energy Savings of up to 90% over Incandescent, 75% over HPS / MH Bulbs and 67% over CFL.

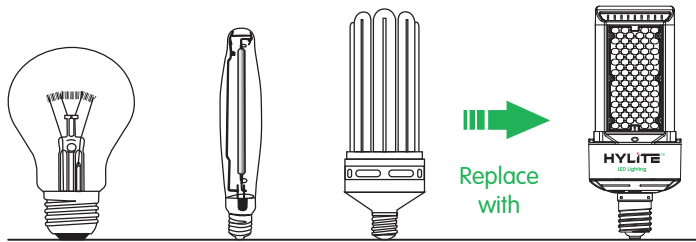
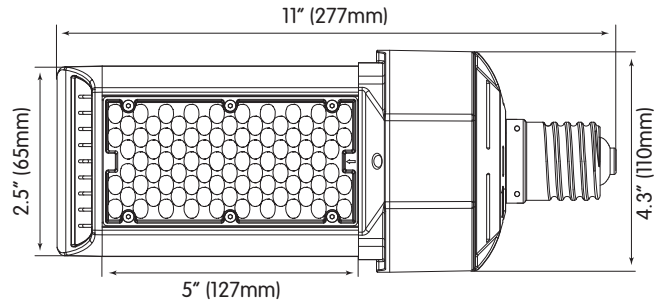
LED Arc-Cob Bulb, 100W

Designed for easy installation in new and existing fixtures, the HyLite LED Arc-Cob bulb features excellent optics for increased visibility, and low power consumption, saving up to 90% on electricity costs. With a lamp life of up to 60,000 hours, the HyLite LED Arc-Cob bulbs significantly reduce relamping costs, thus decreasing maintenance and disposal costs.

The HyLite LED Arc-Cob bulb enhances vision for better Optical Acuity, and reduces Light Pollution (No Wasted Light). Suitable for fully enclosed fixtures, its compact size makes it the ideal replacement for CFL, MV, HID, and HPS lamps in various applications.

- Fully Encapsulated: Shatterproof, High-Shock & High-Vibration Resistant
- Instant Start and Restart: No warm up time required
- Quick & Easy Installation: No Ballast necessary. Direct Retrofit into existing socket by simply bypassing the Ballast.
- Extremely Efficient: High Lumen Efficacy: 113 lpw with High CRI >80
- 350° Rotatable Base for Directional Lighting
- Heat & Impact Resistant, UV Protected, Non-yellowing, Optical Grade Lens
- Safe and Reliable: Isolated Circuit Design. No Noise or RF Interference
- Good Heat Dissipation with proprietary-designed Heat Sink
- Universal Voltage: 100-277V, AC
- Ingress Protection: IP65. Complete protection against Contact, Dust Infiltration, and Water Splashes.
- No UV Radiation – Does Not Attract Insects
- Wide Ambient Operating Temperature: -22°F to +140°F [-30°C to +60°C]
- Ideal for use with Renewable Energy Resources – Solar & Wind Power
- Safe: Contain No Hazardous Materials; RoHS Compliant: No Lead, Mercury, Toxic Metals or Arsenic Gases. No disposal requirements.
- Environmentally Friendly: 98% of the HyLite LED Bulb is recyclable

FREE!
10 kA / 20 kV
In-line Surge Protection Device Included.
Additional Protection for your HyLite Arc-Cob Bulb at no Cost!



Incandescent 1000W 90%	HPS/HID 400W 75%	CFL 300W 67%	HyLite 100W
------------------------------	------------------------	--------------------	----------------

* Does not include Ballast Loss, Maintenance and Replacement Lamp Savings and Disposal Costs which can amount to additional Savings of 30~50%!

Universal Burning Positioning



Lamp can be oriented in any position - does not affect or diminish the life of the bulb.

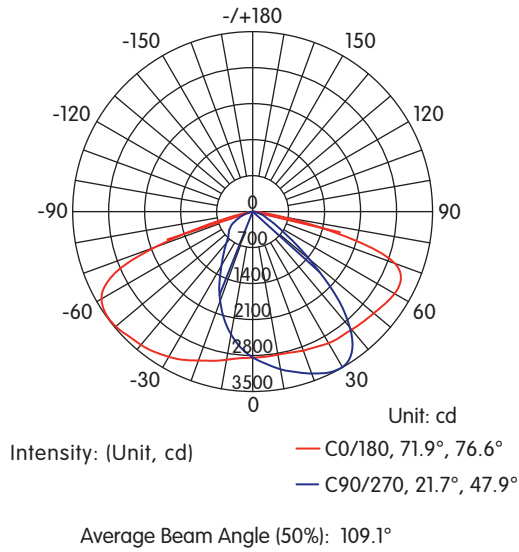
Beam Angle 120° Wide & Uniform	Suitable For Enclosed Luminaires	Energy Costs Reduction of up to 87%	Low Voltage & Longer Life Up to 60,000 Hours	Solid State Vibration and Shock Resistant	No EMI / RFI Zero Interference	No IR/UV / No Noise Radiation-Free No Humming	Lumen Efficacy 113 lpw LM-79 Tested	Reliability LM-80 Tested ISTMT Tested	Warranty 5 years
---	--	---	--	---	--	---	---	---	----------------------------

Model No.	Watts	Lumens (lm)	Suggested Install Height	Input Line Current	Base Type	Dimensions & Weight (each)		
						Diameter	Height	Weight
HL-AC-100W-T3-E39	100	9,453	<33 ft. (10m)	361mA~1.0A	E39/E40 (Mogul)	4.3" (110mm)	11" (77mm)	2.2 lb. (1kg)
HL-AC-100W-T5-E39	100	11,268						

- Efficacy: Up to 113 lpw
- CRI: >85
- Beam Angle: 110~120°
- Max. THD (%): <15%
- Universal Input Voltage 100~277V, AC 50/60 Hz.
- Power Factor: >0.99
- Protection: IP65
- Rated Life: 50~60,000 Hrs.
- Warranty: 5 Years
- Ambient Working Temperature: -22~+140°F (-30~+60°C)
- CCT: 5000°~5500°K for greater visibility. Products with (CCT) 2700°-6500°K are available as "Special Orders" only.

*Minimum 50,000 hours to 60,000 hours depending upon the ambient temperature of the installation location

High Performance LED Arc-Cob Bulb, 100W
Photometrics - Type III

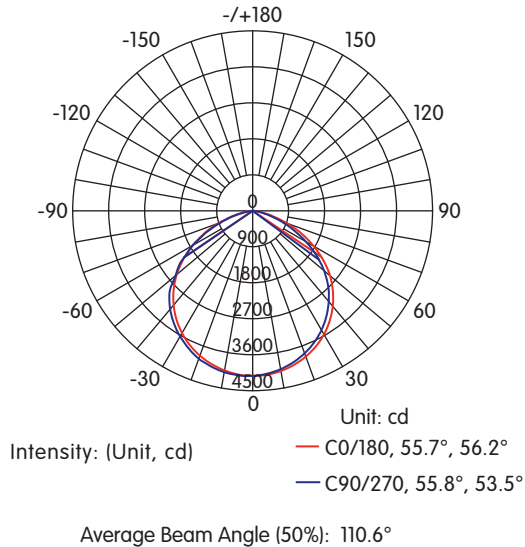


Flux Out: 3160 lm

2 m	512.9/743.7 lx	278 cm
6.5 ft.	47.65/69.1fc	9.1 ft.
4 m	128.2/185.9 lx	556 cm
13.1 ft.	11.91/17.27 fc	18.3 ft.
6 m	56.99/82.63 lx	835 cm
19.7 ft.	5.29/7.68 fc	27.4 ft.
8 m	32.06/46.48 lx	1113 cm
26.3 ft.	2.98/4.32 fc	37 ft.
10 m	20.52/29.75 lx	1391 cm
32.8 ft.	1.91/2.76 fc	45.6 ft.

Height EAvg, Emax Angle: 69.63° Diameter

High Performance LED Arc-Cob Bulb, 100W
Photometrics - Type V



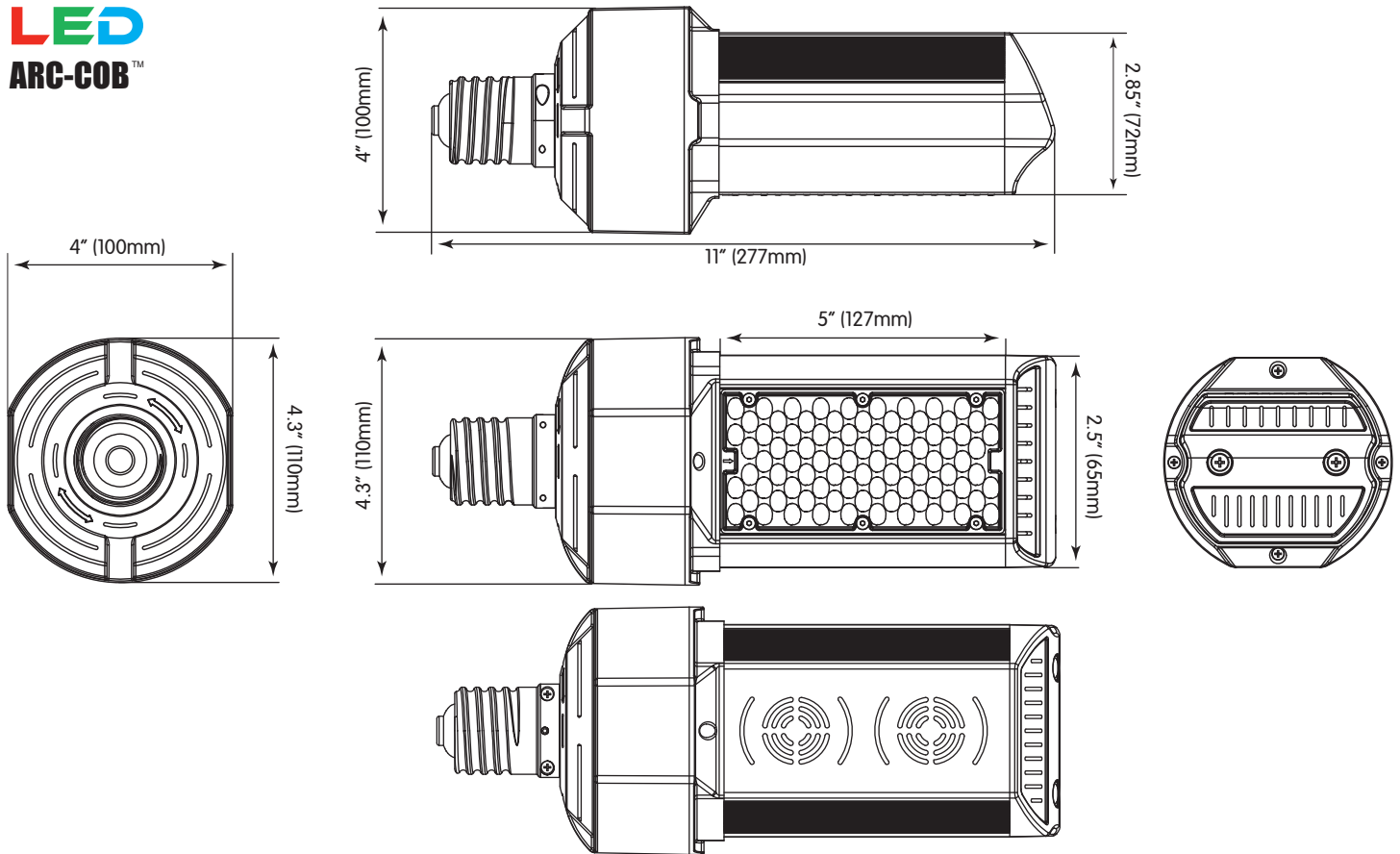
Flux Out: 8478 lm

2 m	330.8/1033 lx	564 cm
6.5 ft.	30.73/95.93 fc	18.5 ft.
4 m	82.70/258.1 lx	1128 cm
13.1 ft.	7.68/23.98 fc	37 ft.
6 m	36.76/114.7 lx	1691 cm
19.7 ft.	3.41/10.66 fc	55.5 ft.
8 m	20.67/64.53 lx	2255 cm
26.3 ft.	1.92/5.99 fc	74 ft.
10 m	13.23/41.30 lx	2819 cm
32.8 ft.	1.23/3.84 fc	92.5 ft.

Height EAvg, Emax Angle: 109.29° Diameter

Thermax™ - Proprietary Thermal Management System: HyLite 100W Arc-Cobs use both active and passive cooling making it an excellent retrofit. Active cooling uses no bearings, brushes, or other frictional parts to rub or wear out and has extremely low acoustical emissions. Longer LED life is assured by Thermax™ our Proprietary Thermal Management System that controls current levels to the LEDs based on temperature. At 149°F (65°C) the Arc-Cob begins to cut back on the current to the LEDs to either maintain, or reduce the temperature back down to 149°F (65°C), assuring cooler operation and longer life.

LED
ARC-COB™



Ideal for high-quality illumination in:

- Wall Packs
- Street Lighting
- Canopy Lights
- Security Lights
- Pedestrian Tunnels
- Driveway Lighting
- Flood Lights
- Parking Lot Lighting
- Walkway Lighting
- Tunnel Lighting
- Freezer & Cold Storage Lights
- Parking Garage Lights



Warning: Disable all Power to the Luminaire. HyLite LED Bulbs are designed to work off 100V to 277V, AC. Ballast (if equipped) must be bypassed or removed from the fixture before installing the bulb. Failure to follow instructions can result in a damaged product and will **VOID** Warranty. It could also result in an electric shock, or fire. Eliminating the Ballast saves additional costs related to maintenance, energy consumption and performance. Bypassing the Ballast will also ensure that there is no EMI/RF interference.

Warning – Risk of Fire or Electric Shock

- Disable all power to the bulb before inspection, installation, maintenance or removal. Failure to do so will create a hazardous and fatal working environment.
- For use in Dry Locations Only. Do not use where directly exposed to Liquid, Vapor, Rain or Weather. Must be installed in accordance with National, State, and/or Local Electrical Codes. Do Not Open – No User Serviceable Parts Inside.
- Operate in fixtures that provide the free flow of air around the lamp heat sink. In enclosed fixtures, ensure the lamp has enough space for heat dissipation. This will ensure lumen maintenance and extend its working life. When products are used in outdoor fixtures, ensure the space is waterproof and well ventilated.
- Not for use on a dimmer or remote controls. This lamp must be controlled only by either a switch or an electronic photosensor. Do not use a mechanical sensor.
- Not intended for use with emergency exit fixtures or emergency exit lights.
- Caution: When Installing Lamps in Corrosive Environments, HyLite suggests that a high-temperature, moisture-resistant, silicone grease or sealant be used to protect the metal-threaded base of the LED bulb to prevent water and/or moisture incursion that can lead to premature degradation of the bulb base and eventual bulb failure. This is especially recommended for LED bulb installations near saltwater bodies.
- Installing Surge/Lightning Protectors is highly recommended. Helps eliminate premature driver failure caused by Surges and other Power Fluctuations.