



# KT-SLFLED500-S1-XX-YM-750-VDIM

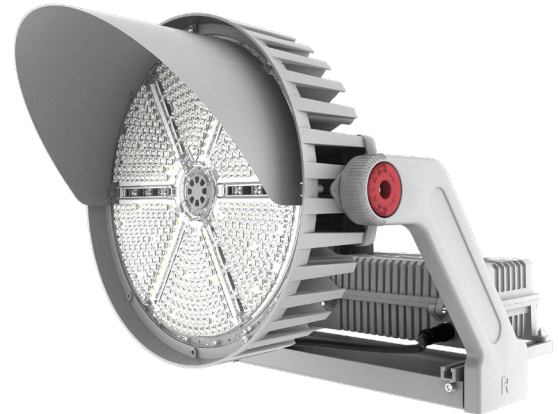
## SPORTS LIGHT FLOOD

### DESCRIPTION

500W Sports Light Flood | 5000K | Multiple Beam Angle Options | 120–277V Input | Gray Housing

### APPLICATION

High power, wide flood, pole mount illumination needs (municipal parks and baseball fields, high school football stadiums, driving ranges, rodeos, ski resorts, etc.)



### PRODUCT FEATURES

- Heavy duty die cast aluminum housing in gray finish offers a durable and modern aesthetic while carrying inspiration from existing legacy fixture solutions. Optimized for HID replacement needs
- Precision crafted optics that ensure uniform, proper lighting. Available in multiple beam angle options (30° standard, 20° and 40° optional)
- Glare shield included in packaging. Easy install for use as required by site demands
- Comes with shorting cap and integrated NEMA/ANSI C136.41 7 pin twist lock receptacle
- Designed for install as a single assembly or with remote driver box. Allows for on site flexibility and lower EPA ratings
- Compatible with yoke mount bracket (pre installed) and slip fitter mount, KT-SLFLED-SF-S1-KIT (sold separately)
- Fixture mountable laser accessory available for fixture aiming, KT-SLFLED-LASER-G (sold separately)
- Ambient operating temperature: –40°C/–40°F to 50°C/122°F
- Powered by Keystone 0–10V dimming LED driver
- UL Certified, IP65 rated
- Power factor: >0.95
- THD: <20%
- LED chip lifetime: L70 >100,000 hrs @ 25C°/77F° ambient fixture temperature
- Meets FCC Part 15, Part B, Class A standards for conducted and radiated emissions

### DIMENSIONS AND WEIGHTS

|                           |                             |
|---------------------------|-----------------------------|
| Carton Dimensions         | 20.08”L x 21.65”W x 20.08”H |
| Carton Weight             | 41.01 lbs                   |
| Total Fixture Weight      | 38.58 lbs                   |
| Fixture Head Weight       | 26.54 lbs                   |
| Fixture Driver Box Weight | 12.04 lbs                   |

### PRODUCT SPECIFICATIONS

| Catalog Number                 | Wattage | CCT   | Lumens | Efficacy | Input Voltage | Dimming | Beam Angle | CRI | DLC | Legacy Equivalent |
|--------------------------------|---------|-------|--------|----------|---------------|---------|------------|-----|-----|-------------------|
| KT-SLFLED500-S1-20-YM-750-VDIM | 500W    | 5000K | 70000  | 140 lm/W | 120–277V      | 0–10V   | 20°        | >70 | Y   | 1500W MH          |
| KT-SLFLED500-S1-30-YM-750-VDIM |         |       |        |          |               |         | 30°        |     |     |                   |
| KT-SLFLED500-S1-40-YM-750-VDIM |         |       |        |          |               |         | 40°        |     |     |                   |

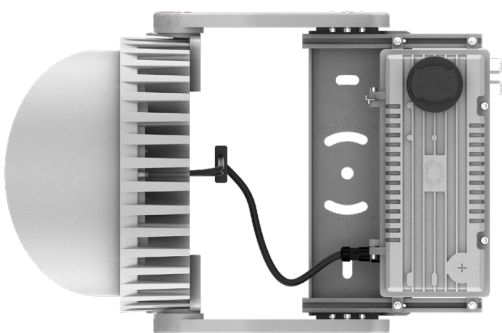
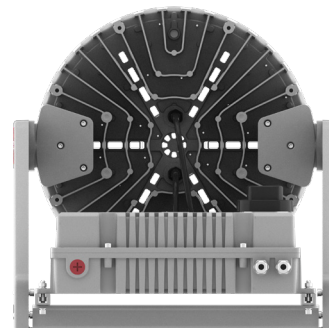
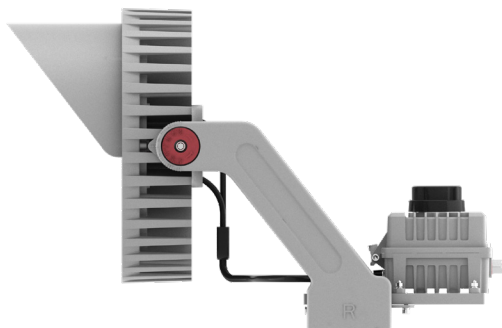
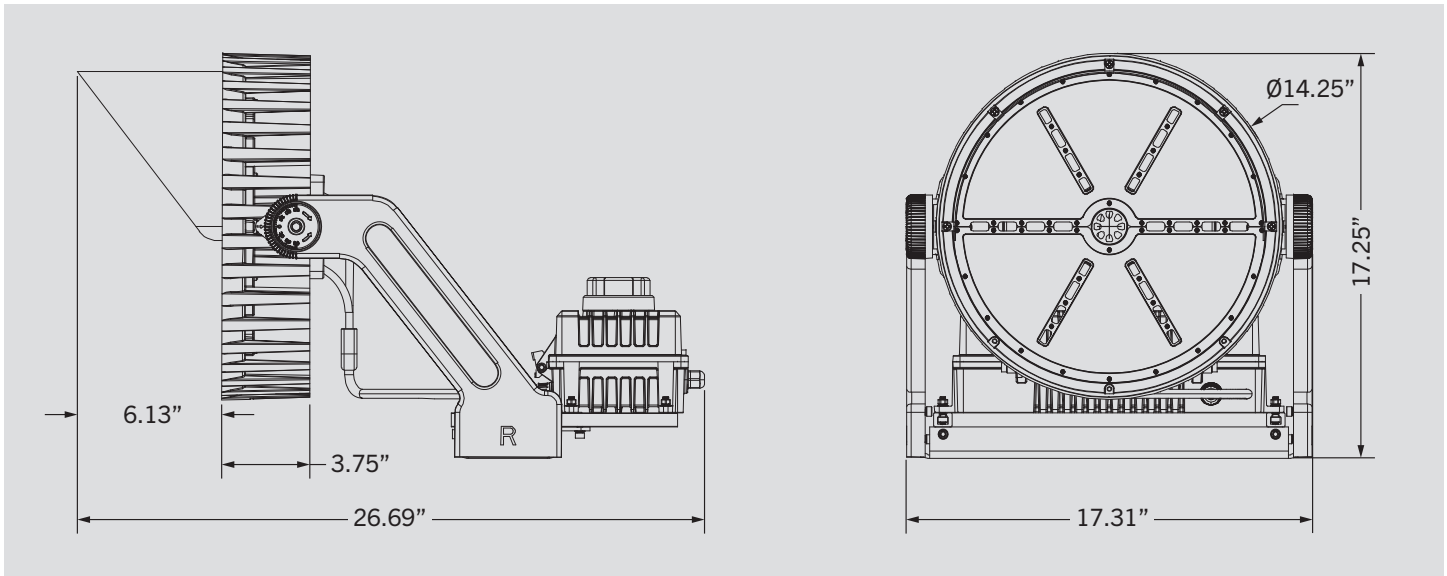
Fixtures with 20° and 40° beam angles are available and assembled to order. Lead times may apply. Please see catalog number breakdown and product specification for full ordering code details.

# KT-SLFLED500-S1-XX-YM-750-VDIM

## SPORTS LIGHT FLOOD

### PHYSICAL SPECIFICATIONS

WITH DRIVER BOX ATTACHED

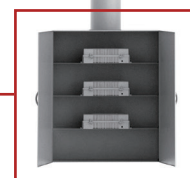
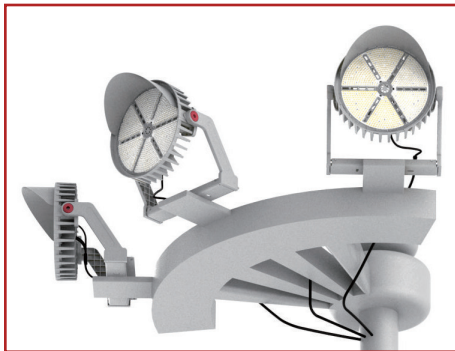
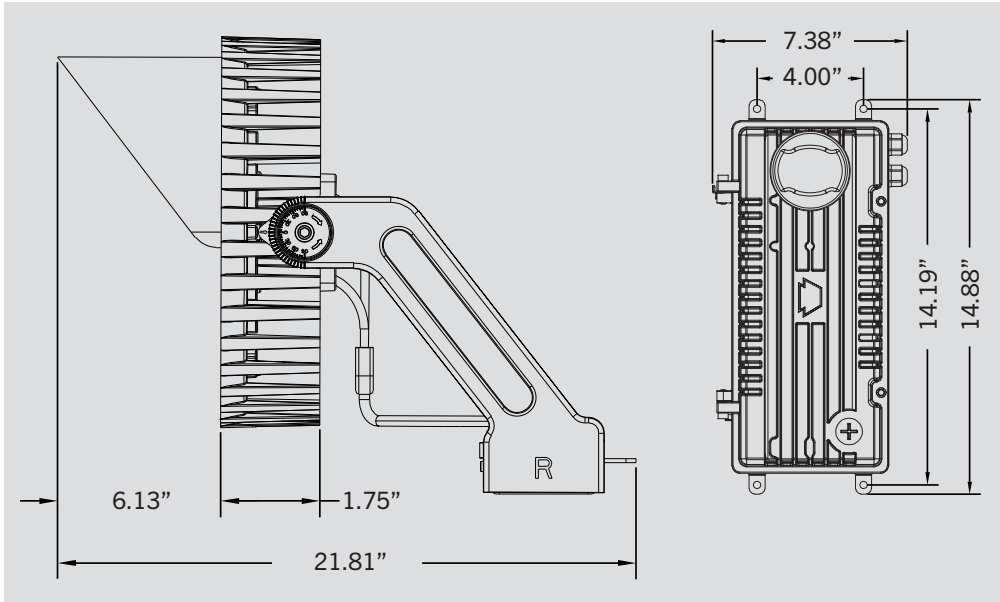


# KT-SLFLED500-S1-XX-YM-750-VDIM

## SPORTS LIGHT FLOOD

### PHYSICAL SPECIFICATIONS

WITH DRIVER BOX SEPARATED

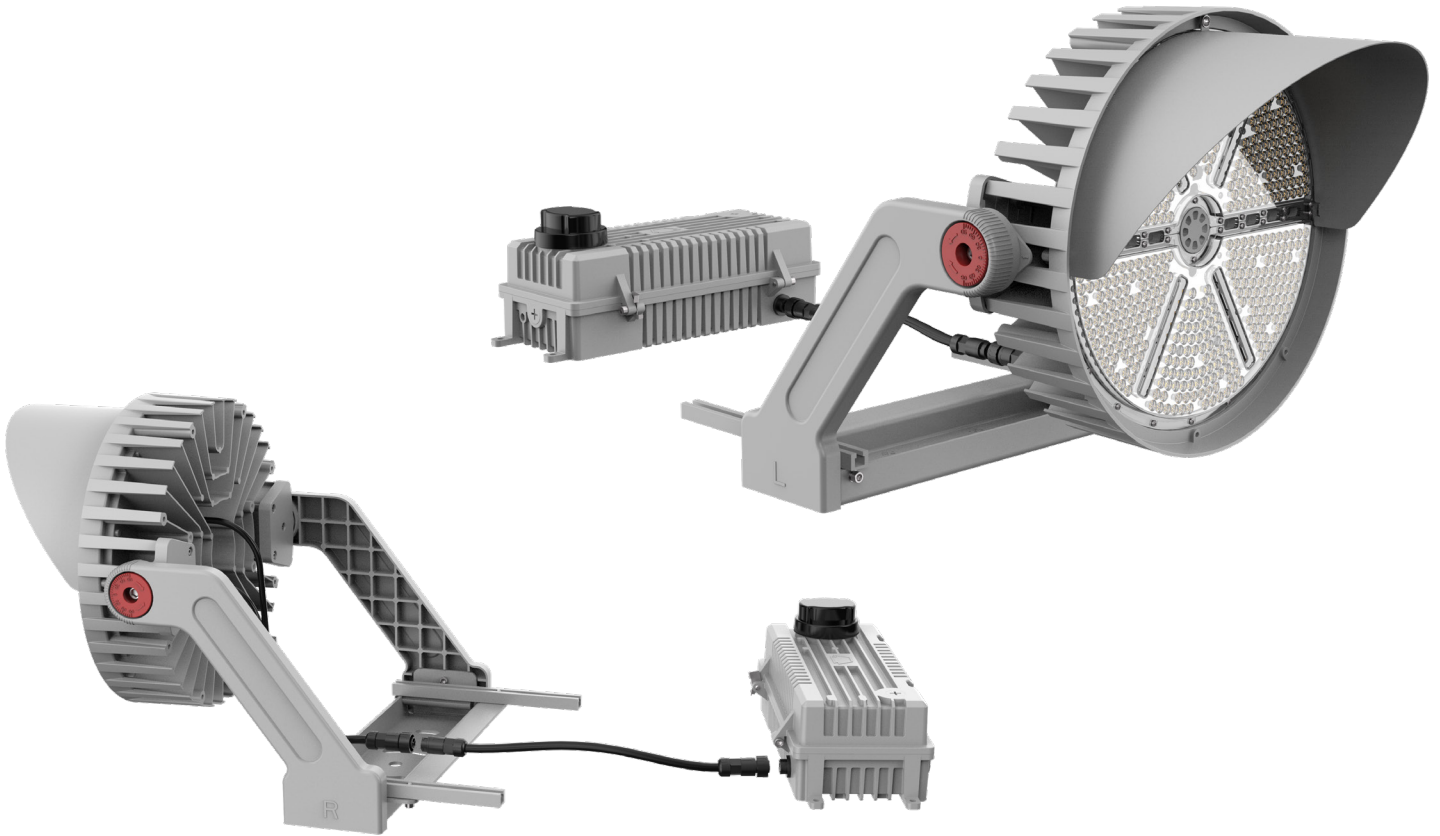


Note: Maximum cord length is 50m / 164 ft

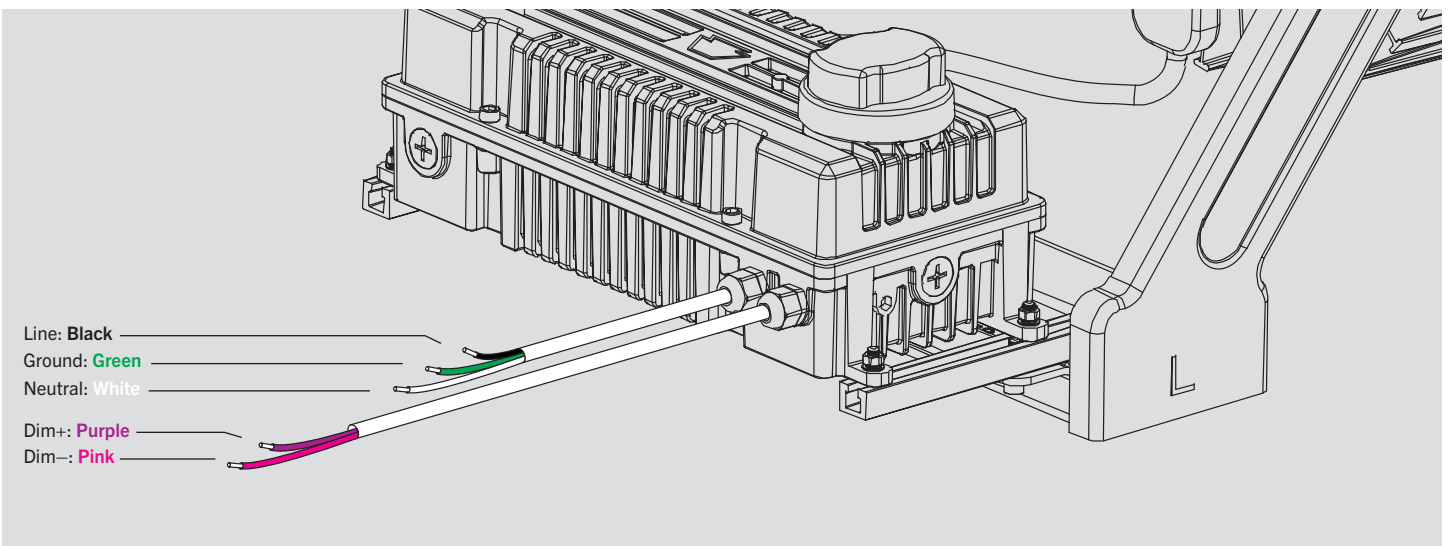
# KT-SLFLED500-S1-XX-YM-750-VDIM

## SPORTS LIGHT FLOOD

WITH DRIVER BOX SEPARATED



### WIRING DIAGRAM



**KT-SLFLED500-S1-XX-YM-750-VDIM**  
SPORTS LIGHT FLOOD

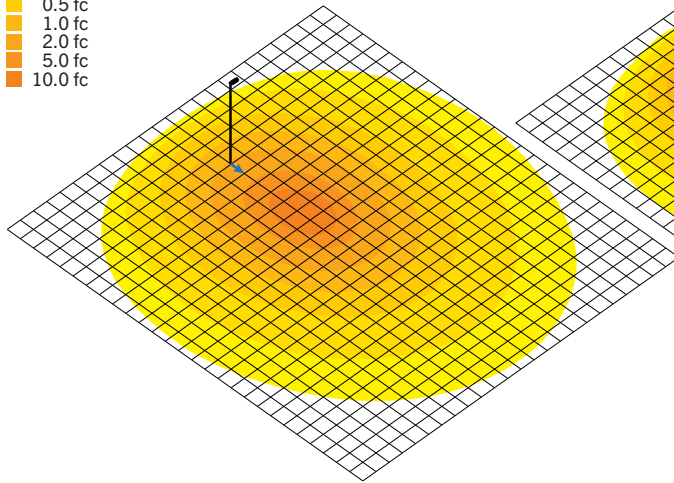
**LIGHT DISTRIBUTION PATTERN**

Photometric layouts for general reference only. All fixtures are pointed at 45° below horizontal. Each square is 10 ft x 10 ft

**20° BEAM ANGLE**

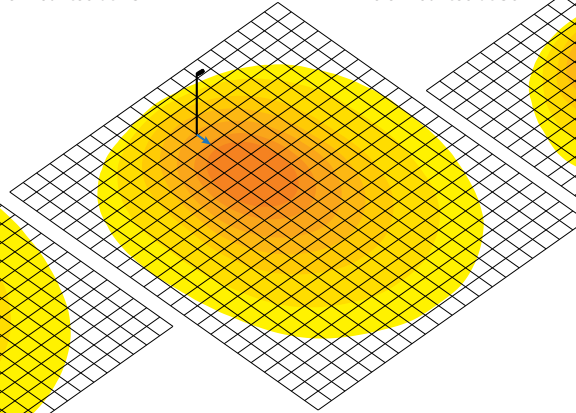
Pole-mounted at 60'

- 0.1 fc
- 0.2 fc
- 0.5 fc
- 1.0 fc
- 2.0 fc
- 5.0 fc
- 10.0 fc



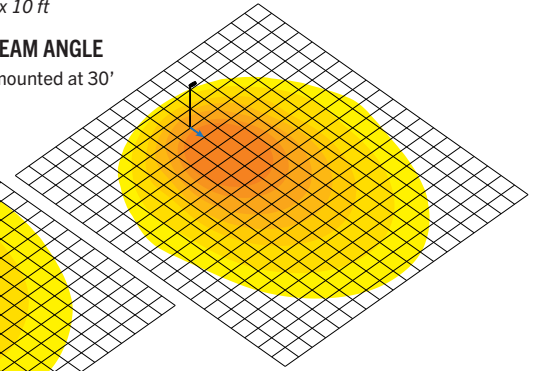
**30° BEAM ANGLE**

Pole-mounted at 45'



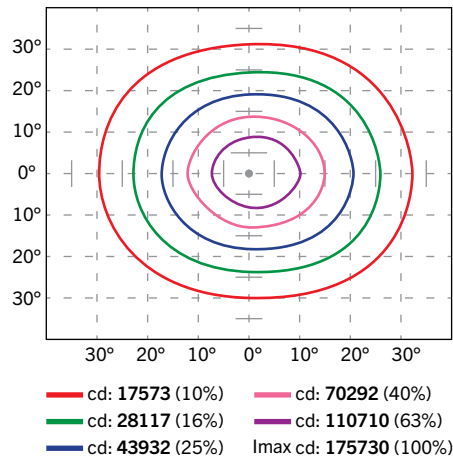
**40° BEAM ANGLE**

Pole-mounted at 30'

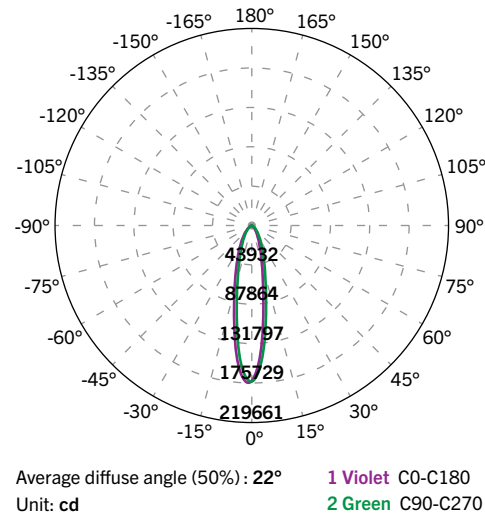


**PHOTOMETRIC SPECIFICATIONS (20° BEAM ANGLE)**

**ISOCANDELA PLOT**



**LUMINOUS INTENSITY DISTRIBUTION**



**FLUX DISTRIBUTION**

| Zone                 | Lumens       | % Luminaire  |
|----------------------|--------------|--------------|
| <b>Forward Light</b> | <b>32512</b> | <b>48.5%</b> |
| 0°-30°               | 20640        | 30.8%        |
| 30°-60°              | 9439         | 14.1%        |
| 60°-80°              | 2284         | 3.4%         |
| 80°-90°              | 149          | 0.2%         |
| <b>Back Light</b>    | <b>33581</b> | <b>50.1%</b> |
| 0°-30°               | 21327        | 31.8%        |
| 30°-60°              | 9728         | 14.5%        |
| 60°-80°              | 2365         | 3.5%         |
| 80°-90°              | 161          | 0.2%         |
| <b>Up Light</b>      | <b>964</b>   | <b>1.4%</b>  |
| 90°-100°             | 76           | 0.1%         |
| 100°-180°            | 888          | 1.3%         |

(Photometric Specifications continued on next page)

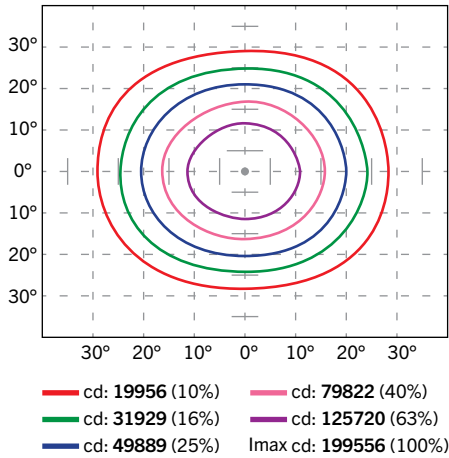


# KT-SLFLED500-S1-XX-YM-750-VDIM

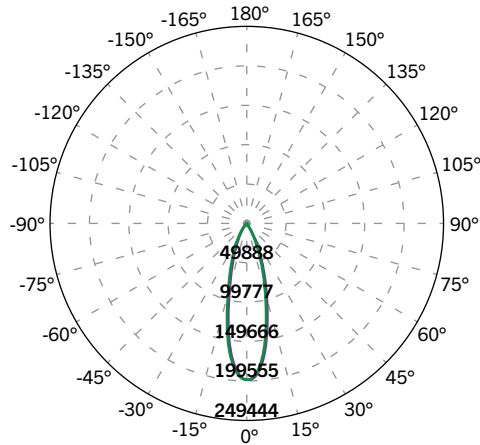
## SPORTS LIGHT FLOOD

### PHOTOMETRIC SPECIFICATIONS (30° BEAM ANGLE)

ISOCANDELA PLOT



LUMINOUS INTENSITY DISTRIBUTION



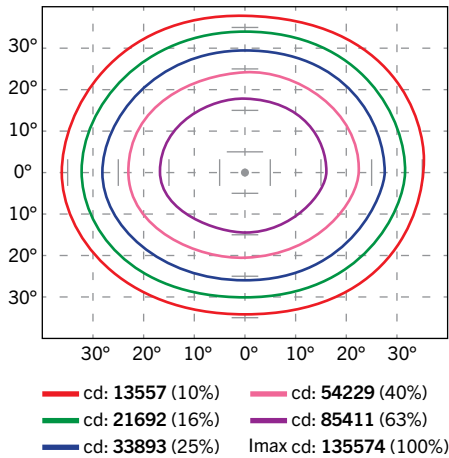
Average diffuse angle (50%) : 27.9°     **1 Violet** C0-C180  
 Unit: cd     **2 Green** C90-C270

FLUX DISTRIBUTION

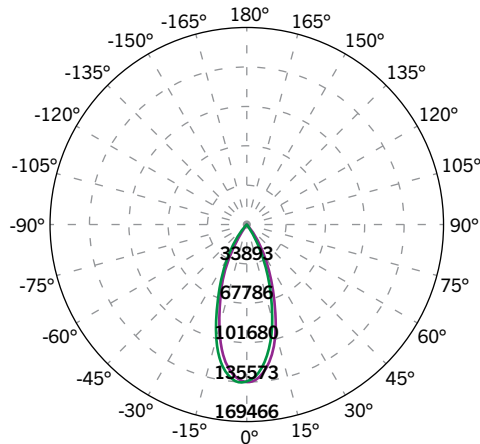
| Zone                 | Lumens       | % Luminaire  |
|----------------------|--------------|--------------|
| <b>Forward Light</b> | <b>35378</b> | <b>49.8%</b> |
| 0°-30°               | 27365        | 38.5%        |
| 30°-60°              | 6662         | 9.4%         |
| 60°-80°              | 1281         | 1.8%         |
| 80°-90°              | 70           | 0.1%         |
| <b>Back Light</b>    | <b>35651</b> | <b>50.2%</b> |
| 0°-30°               | 27576        | 38.8%        |
| 30°-60°              | 6767         | 9.5%         |
| 60°-80°              | 1247         | 1.8%         |
| 80°-90°              | 61           | 0.1%         |
| <b>Up Light</b>      | <b>0</b>     | <b>0.0%</b>  |
| 90°-100°             | 0            | 0.0%         |
| 100°-180°            | 0            | 0.0%         |

### PHOTOMETRIC SPECIFICATIONS (40° BEAM ANGLE)

ISOCANDELA PLOT



LUMINOUS INTENSITY DISTRIBUTION



Average diffuse angle (50%) : 39.6°     **1 Violet** C0-C180  
 Unit: cd     **2 Green** C90-C270

FLUX DISTRIBUTION

| Zone                 | Lumens       | % Luminaire  |
|----------------------|--------------|--------------|
| <b>Forward Light</b> | <b>34734</b> | <b>46.0%</b> |
| 0°-30°               | 26728        | 35.4%        |
| 30°-60°              | 7118         | 9.4%         |
| 60°-80°              | 825          | 1.1%         |
| 80°-90°              | 62           | 0.1%         |
| <b>Back Light</b>    | <b>39748</b> | <b>52.7%</b> |
| 0°-30°               | 30347        | 40.2%        |
| 30°-60°              | 8516         | 11.3%        |
| 60°-80°              | 821          | 1.1%         |
| 80°-90°              | 64           | 0.1%         |
| <b>Up Light</b>      | <b>986</b>   | <b>1.3%</b>  |
| 90°-100°             | 61           | 0.1%         |
| 100°-180°            | 925          | 1.2%         |







# KT-SLFLED500-S1-XX-YM-750-VDIM

## SPORTS LIGHT FLOOD

### EPA SPECIFICATIONS

#### Small-Size Fixture Housing

Conditions: Horizontal winds only for calculations. Worst case total projected area used for calculations. All drag coefficients are set as worst case 1.2. For details on exact EPA calculations and assumptions, please contact productsupport@keystonetech.com

| EPA Calcs (1.2*ft^2   View)  |                  |              | Single Fixture  | 2 Fixtures Side-by-Side   | 3 Fixtures Side-by-Side   |
|--|------------------|--------------|---|---|---|
| Mounting Application   | Fixture Position | Housing Size |  |  |  |
| Plate Mount<br> | 45°              | S (500W)     | 1.77 sq. ft.  | 3.53 sq. ft.  | 5.30 sq. ft.  |

### ACCESSORIES

#### CORD SETS

Field-Installable / Field-Use ONLY (purchased separately)

| ✓ | CATALOG NUMBER  | DESCRIPTION   | UPC          | EASY CODE |
|---|-----------------|---|--------------|-----------|
|   | KT-SLFLED-EC-35 | 35' extension cord to remote mount LED driver for SLFLED fixtures | 843654154992 | OKK-79    |
|   | KT-SLFLED-EC-65 | 65' extension cord to remote mount LED driver for SLFLED fixtures | 843654155005 | QCB-67    |



#### MOUNTS AND BRACKETS

Field-Installable / Field-Use ONLY (purchased separately)

| ✓ | CATALOG NUMBER      | DESCRIPTION   | UPC          | EASY CODE |
|---|---------------------|---|--------------|-----------|
|   | KT-SLFLED-SF-S1-KIT | Slip fitter mount kit for Series 1 Sports Light Flood, Small Housing. Fits 2 3/8" tenon. Gray | 843654154930 | JWV-40    |



Field-Installable / Field-Use ONLY (purchased separately)

| ✓ | CATALOG NUMBER    | DESCRIPTION  | UPC          | EASY CODE |
|---|-------------------|--|--------------|-----------|
|   | KT-SLFLED-LASER-G | Green laser pointer for Sports Light Flood aiming. Includes hardware to mount to SLFLED fixtures | 843654155012 | ESD-34    |





# KT-SLFLED500-S1-XX-YM-750-VDIM

## SPORTS LIGHT FLOOD

### ORDERING INFORMATION

| CATALOG NUMBER                 | PACK QTY. | EASY CODE | UPC          |
|--------------------------------|-----------|-----------|--------------|
| KT-SLFLED500-S1-20-YM-750-VDIM | 1         | UCQ-93    | 843654155265 |
| KT-SLFLED500-S1-30-YM-750-VDIM | 1         | BJC-36    | 843654154893 |
| KT-SLFLED500-S1-40-YM-750-VDIM | 1         | KUC-98    | 843654155272 |

### CATALOG NUMBER BREAKDOWN

# KT-SLFLED500-S1-XX-YM-750-VDIM

| 1                              | 2 | 3 | 4 | 5 | 6 | 7 | 8 | 9 | 10 | 11 |
|--------------------------------|---|---|---|---|---|---|---|---|----|----|
| <b>1 Keystone Technologies</b> |   |   |   |   |   |   |   |   |    |    |
| <b>2 Fixture Type</b>          |   |   |   |   |   |   |   |   |    |    |
| <b>3 LED Lamp</b>              |   |   |   |   |   |   |   |   |    |    |
| <b>4 Wattage</b>               |   |   |   |   |   |   |   |   |    |    |
| <b>5 Size</b>                  |   |   |   |   |   |   |   |   |    |    |
| <b>6 Style</b>                 |   |   |   |   |   |   |   |   |    |    |
| <b>7 Beam Angle</b>            |   |   |   |   |   |   |   |   |    |    |
| <b>8 Mounting Options</b>      |   |   |   |   |   |   |   |   |    |    |
| <b>9 CRI</b>                   |   |   |   |   |   |   |   |   |    |    |
| <b>10 CCT</b>                  |   |   |   |   |   |   |   |   |    |    |
| <b>11 Dimming</b>              |   |   |   |   |   |   |   |   |    |    |