



DESCRIPTION

1'x4' LED Panel Light, 40W Family, 120-277V Input, 0-10V Dimming



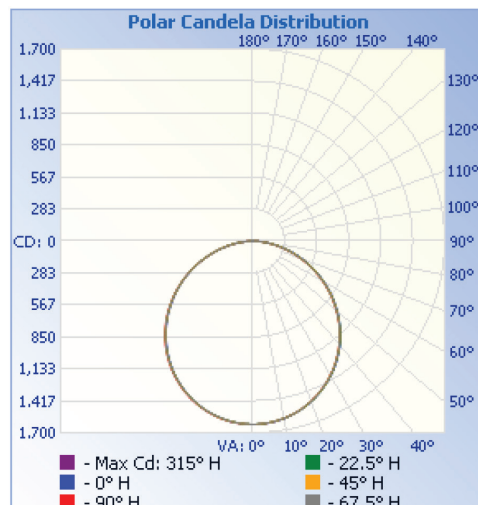
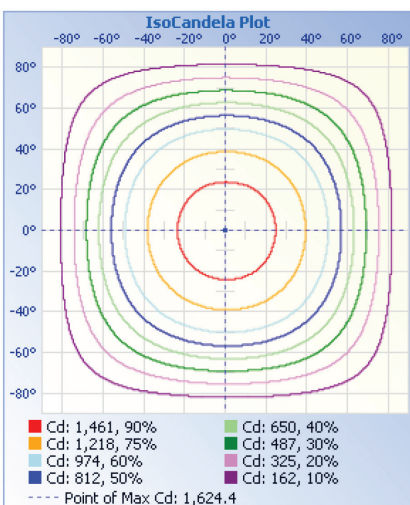
PRODUCT FEATURES

- Low Profile Architectural Grade Design
- Fits Standard T-Grid Ceilings
- Suitable for Surface or Suspension Mount with optional Accessories
- High Quality Laser Etched PMMA Resin Light Guide Plate offers optimal light diffusion with no risk of yellowing over product lifetime
- Powered by Keystone 0-10V Dimming LED driver with built in Junction Box
- Listed on DLC QPL, Premium
- 7 Year Warranty
- 60,000 Hour Rated Life
- Over 50% Energy Savings as Compared to Traditional Fluorescent Troffers
- LED Color binning within 4 SDCM ensures supreme color consistency between all panels
- Operating Temperature Range: -20C to 40C
- Suitable for Damp Locations

PERFORMANCE SPECIFICATIONS

Catalog Number	Input Voltage	Wattage	Color Temperature	Lumen Output	CRI	Power Factor	Efficacy	Lifetime
KT-PLED40-14-835-VDIM-P	120-277V	40W	3500K	4950lm	>82.4	>0.9	124lm/W	60,000 Hour
KT-PLED40-14-840-VDIM-P	120-277V	40W	4000K	5000lm	>82.4	>0.9	125lm/W	60,000 Hour
KT-PLED40-14-850-VDIM-P	120-277V	40W	5000K	5050lm	>82.4	>0.9	126lm/W	60,000 Hour

PHOTOMETRIC SPECIFICATIONS



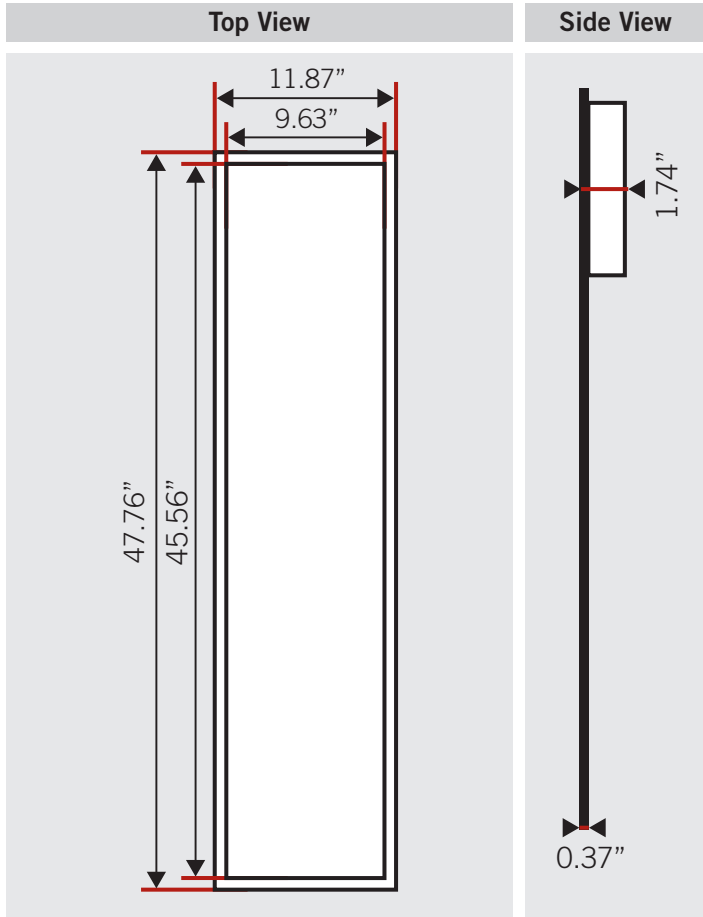
Zonal Lumen Summary		
Zone	Lumens	% Luminaire
0-30	1,262.0	26.8%
0-40	2,069.1	44%
0-60	3,668.8	78.1%
60-90	1,030.1	21.9%
70-100	445.4	9.5%
90-120	0.3	0%
0-90	4,698.9	100%
90-180	1.4	0%
0-180	4,700.3	100%



LED PANEL LIGHT

CATALOG NUMBER: KT-PLED40-14-8XX-VDIM-P

PHYSICAL SPECIFICATIONS



WEIGHT INFORMATION

1 pcs	1 ctn
7.94 lb.	18.41 lb.

ACCESSORIES

Catalog Number	Description
KT-PLED-SM-14-KIT	Surface Mount Kit for (1) 1x4 LED Panel Light
KT-PLED-EM-BR-KIT	Bracket Kit for Mounting Emergency LED Backup to LED Panel Lights
KT-PLED-CABLE-KIT	Cable Hanging Kit for LED Panel Lights (Includes 3 Cable Sets)

Accessories Sold Separately.

CATALOG NUMBER BREAKDOWN

