

# KETRA

## X2 KEYPAD

- Programmable keypad buttons recall preset scenes or shows
- Wireless connection to control network
- Fully customizable with multiple layout styles
- Custom button engraving available
- Fits into standard wall box & standard wall plates



### Hardware Ordering Guide:



Series	Code	Platform	Code	Button Label (see pages 5 - 12)	Code
X Series Keypad	X2	Line Voltage Button Chasis Only	AC -	Blank Entry Theme (B01 only) Living Theme (B01 only) Kitchen Theme (B01 only) Office Theme (B01 only) Master Theme (B01 only) Bath Theme (B01 only) Media Theme (B01 only) Landscape Theme (B01 only) Nursery Theme (B01 only) Custom (see pages 6-12)*	- 0101 0102 0103 0104 0105 0106 0107 0108 0109 __CL
Button Layout (see page 4)	Code	Mounting Configuration	Code		
5 Button + Intensity Dimmer Paddle	B01 B02	Wall Box Button Chasis Only	JB -		
Double Tall + Blank + 2 Button + Intensity	B03	Region	Code		
Double Tall + 3 Button + Intensity	B04	North America	1		
1 Button + Blank + 3 Button + Intensity	B05	Button Chasis Only	-		
2 Button + Blank + 2 Button + Intensity	B06	Keypad Color	Code	*Ketra's X2 keypads can be ordered with customizable text. See pages 6-12 for more details.	
3 Double Tall	B07	White Black Almond	WH BK AL		

770-000025-01-2

Specifications are subject to change without notice.

## Performance Summary

### Environmental

Ambient Operating Temperature	0° to 40°C
Storage Temperature	-20° to 80°C
Humidity	0-95%, Non-condensing
Certification	UL, cUL, FCC Class B, RoHS
Location	UL Damp location, IP20

### Mechanical

Weight	8.8oz/250kg
Housing Material	Flame Retardant Polymer
Mounting	Mounts in wall box with minimum volume of 14 in <sup>3</sup> Includes: (Qty. 2) 6-32, 1", counter-sunk screws, (1) Single Gang Wall Plate with mounting hardware

### Wireless<sup>1</sup>

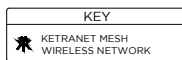
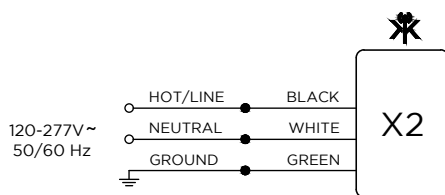
Frequency	2405 - 2480 MHz
Output Power	18-20 dBm

### Electrical

#### AC Model

Input Wiring	16 AWG Flying Leads
Voltage	120-277 VAC
Power Consumption	2W
Frequency	50/60 Hz

### Wiring Diagram



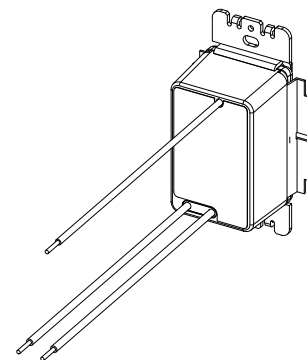
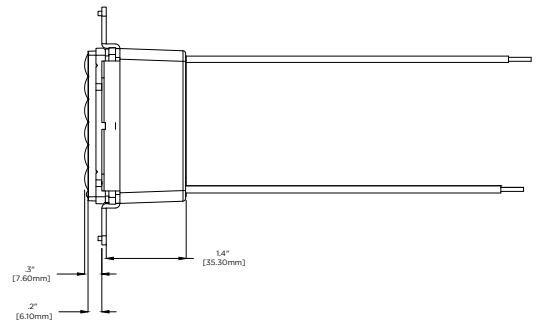
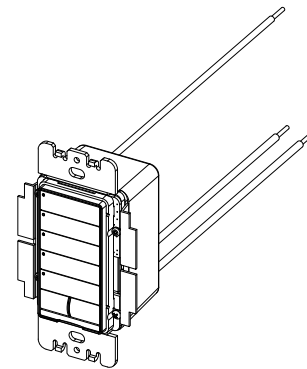
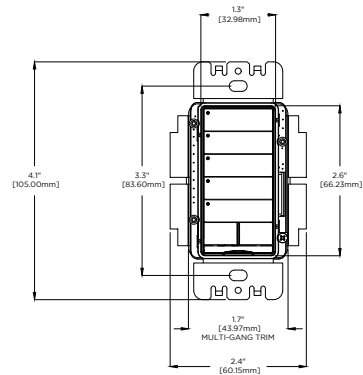
**WARNING**

- X2 can only recall time-based shows in conjunction with a Ketra X1, N3, or N4 device

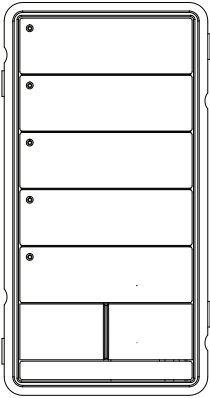
<sup>1</sup>This device complies with Part 15 of the FCC Rules. Operation is subject to the following two conditions: (1) this device may not cause harmful interference, and (2) this device must accept any interference received, including interference that may cause undesired operation.

770-000025-01-2

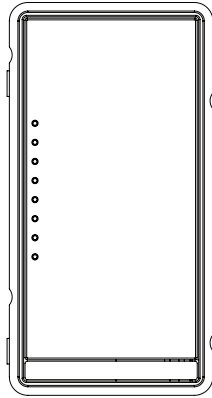
Specifications are subject to change without notice.



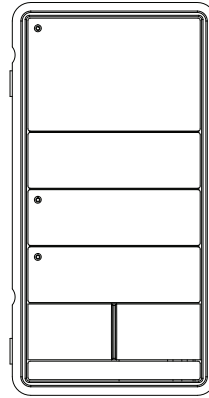
## X2 Button Configurations



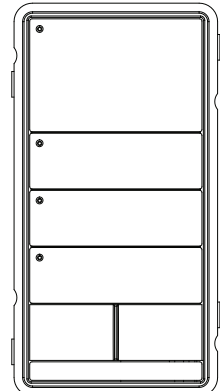
BO1 : 5 Button + Intensity



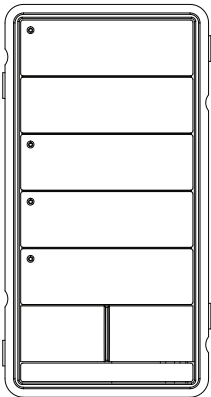
BO2 : Dimmer Paddle



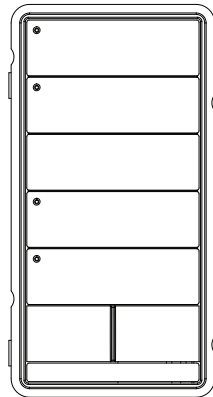
BO3 : Double Tall + Blank +  
2 Button + Intensity



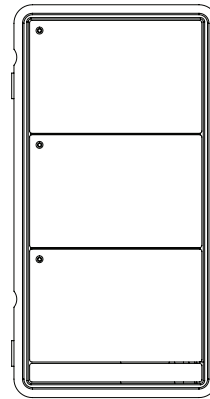
BO4 : Double Tall +  
3 Button + Intensity



BO5 : 1 Button + Blank +  
3 Button + Intensity

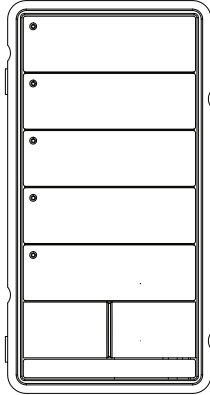


BO6 : 2 Button + Blank +  
2 Button + Intensity



BO7 : 3 Double Tall

## B01 Residential Themed Labels



B01 : 5 Button + Intensity

### Residential Theme Options

Entry Theme: 0101		Living Theme: 0102		Kitchen Theme: 0103		Office Theme: 0104	
Input	Label	Input	Label	Input	Label	Input	Label
1	Natural	1	Natural	1	Natural	1	Natural
2	Entertain	2	Entertain	2	Entertain	2	Working
3	Relax	3	Relax	3	Cooking	3	Reading
4	Secure	4	Media	4	Dining	4	Media
5	All On	5	All On	5	All On	5	All On

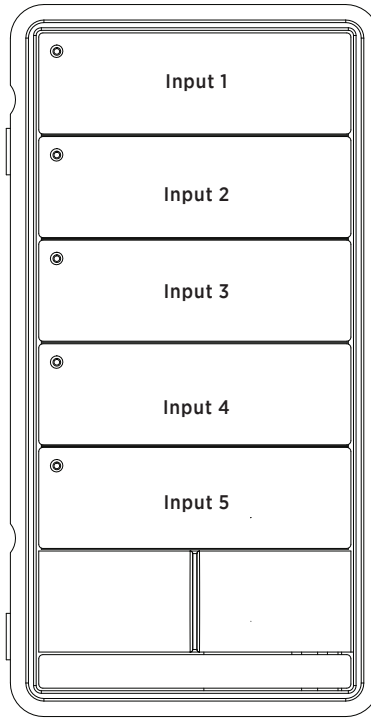
Master Theme: 0105		Bath Theme: 0106		Media Theme: 0107		Landscape Theme: 0108	
Input	Label	Input	Label	Input	Label	Input	Label
1	Natural	1	Natural	1	Natural	1	Natural
2	Reading	2	Energize	2	Entertain	2	Entertain
3	Relax	3	Vanity	3	Movie	3	Holiday
4	Secure	4	Relax	4	Accent	4	Secure
5	All On	5	All On	5	All On	5	All On

Nursery Theme: 0109	
Input	Label
1	Natural
2	Playtime
3	Reading
4	Bedtime
5	All On

## Custom Button Labels

Click on the form fields to input your custom display.



BO1 : 5 Button + Intensity

### 01CL : Custom Button Label

Button  
Layout #

#### Input Field Template

**Input 1** (12 character max)

**Input 2** (12 character max)

**Input 3** (12 character max)

**Input 4** (12 character max)

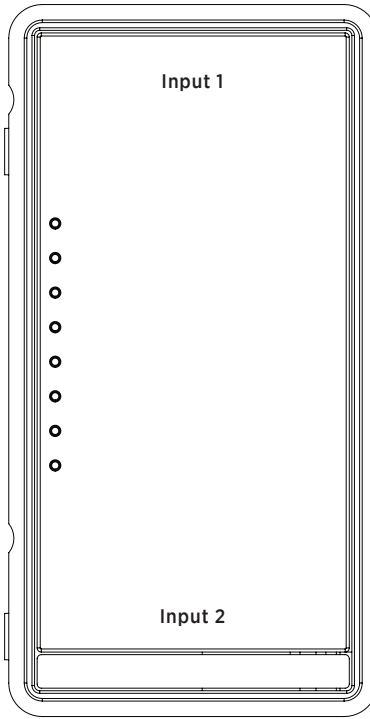
**Input 5** (12 character max)

770-000025-01-2

Specifications are subject to change without notice.

## Custom Button Labels

Click on the form fields to input your custom display.



**BO2 : Dimmer Paddle**

### 02CL : Custom Button Label

Button  
Layout #

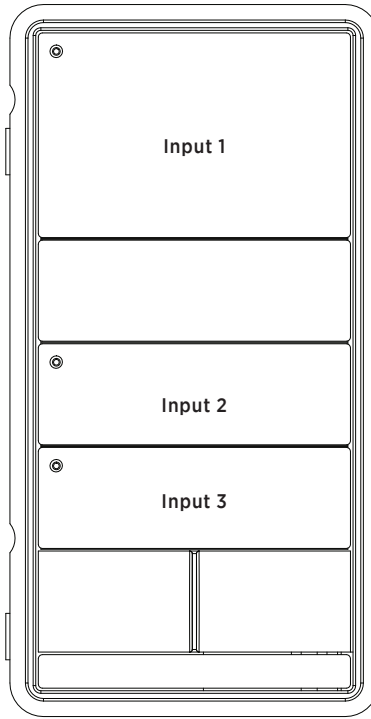
#### Input Field Template

**Input 1** (12 character max)

**Input 2** (12 character max)

## Custom Button Labels

Click on the form fields to input your custom display.



**B03 : Double Tall + Blank +  
2 Button + Intensity**

### 03CL : Custom Button Label

Button  
Layout #

#### Input Field Template

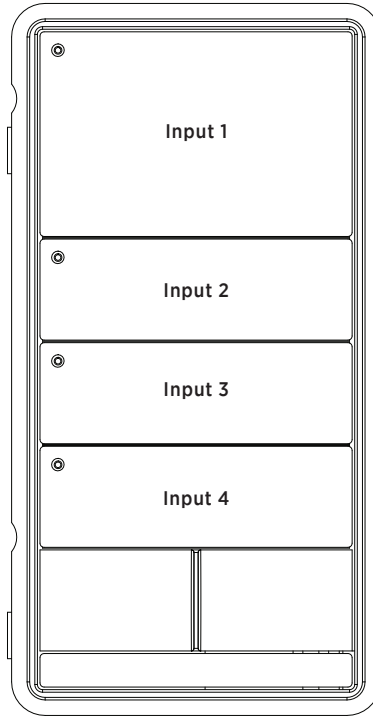
**Input 1** (12 character max)

**Input 2** (12 character max)

**Input 3** (12 character max)

## Custom Button Labels

Click on the form fields to input your custom display.



BO4 : Double Tall +  
3 Button + Intensity

### 04CL : Custom Button Label

Button  
Layout #

#### Input Field Template

**Input 1** (12 character max)

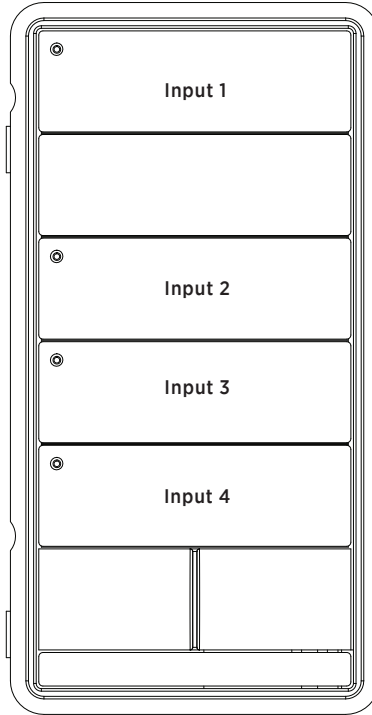
**Input 2** (12 character max)

**Input 3** (12 character max)

**Input 4** (12 character max)

## Custom Button Labels

Click on the form fields to input your custom display.



**B05 : 1 Button + Blank +  
3 Button + Intensity**

### 05CL : Custom Button Label

Button  
Layout #

#### Input Field Template

**Input 1** (12 character max)

**Input 2** (12 character max)

**Input 3** (12 character max)

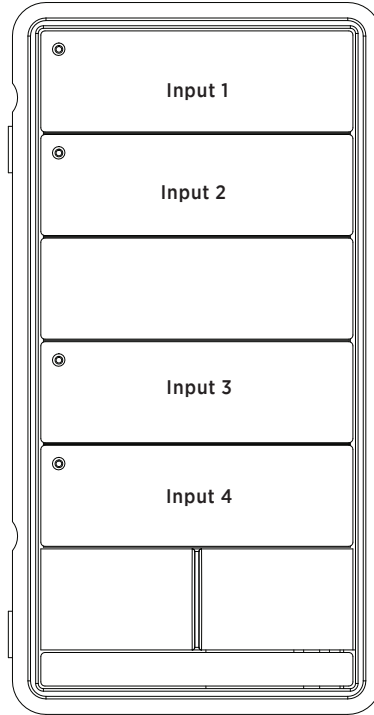
**Input 4** (12 character max)

770-000025-01-2

Specifications are subject to change without notice.

## Custom Button Labels

Click on the form fields to input your custom display.



**B06 : 2 Button + Blank +  
2 Button + Intensity**

### 06CL : Custom Button Label

Button  
Layout #

#### Input Field Template

**Input 1** (12 character max)

**Input 2** (12 character max)

**Input 3** (12 character max)

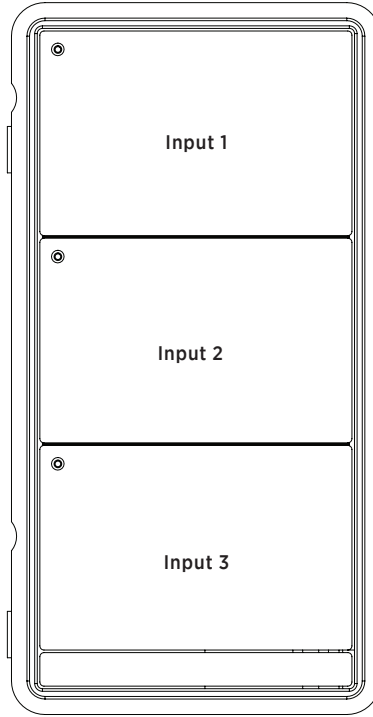
**Input 4** (12 character max)

770-000025-01-2

Specifications are subject to change without notice.

## Custom Button Labels

Click on the form fields to input your custom display.



B07 : 3 Double Tall

### 07CL : Custom Button Label

Button  
Layout #

#### Input Field Template

**Input 1** (12 character max)

**Input 2** (12 character max)

**Input 3** (12 character max)