

KETRA

N4 HUB

Project: _____
 Comments: _____
 Prepared By: _____



Enables control by Design Studio, the Ketra app, or API commands.

Seamless integration between KNETs, allowing for installations with multiple N4s

Tabletop/wall-mounted and conduit-mounted mounting options

PRODUCT DESCRIPTION

Ketra's N4 Hub forms a bridge between Ketra products and Ketra digital interfaces such as Design Studio, mobile app, and API commands. With multiple N4s, a user can integrate KNETs, allowing for seamless installations no matter how large. With an Internet connection, the Hub can connect to Ketra's cloud servers to enable backup and remote maintenance functions.

HARDWARE ORDERING GUIDE

N4	1		BK
Series	Region	Interface	Housing Color
			code
Series			N4
Region			1
Interface			TT CND
Housing Color			BK

¹ Product includes on-board wireless radio for communications. Do not enclose in metallic enclosure as it may impact radio performance.

PERFORMANCE SUMMARY

ENVIRONMENTAL

Operating Temperature	-20° to 40°C
Storage Temperature	-20° to 80°C
Humidity	0 - 95%, Non-condensing
Certification	UL, cUL, FCC Class B, RoHS
Location1	UL Damp Location, IP20

MECHANICAL

Weight	15oz, 0.43 kg
Housing Material	Polymer

POWER

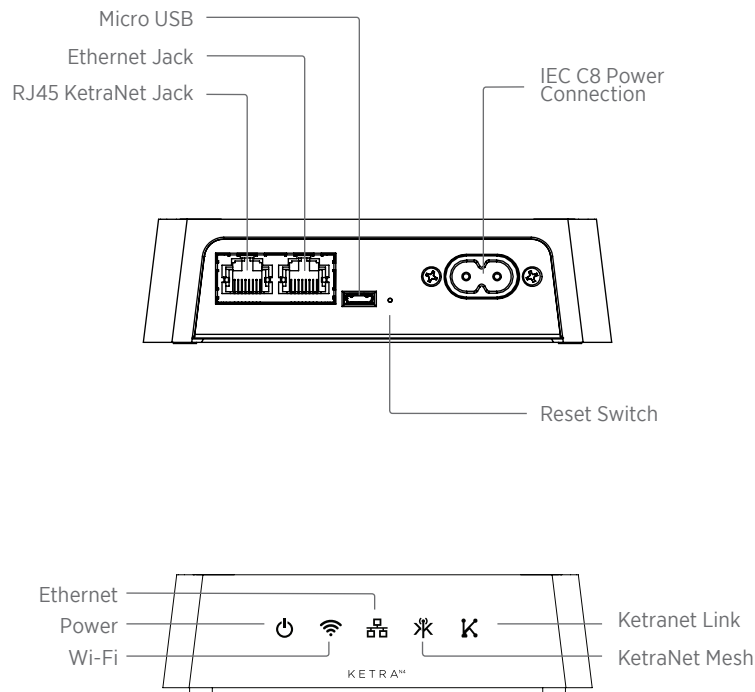
Voltage	N41TTBK 120VAC60Hz N41CNDBK 120-277VAC60Hz
---------	---

Unit consumes 5W electrical power

Current: .041 Amps @ 120 VAC

ENCLOSURE + CONNECTIONS

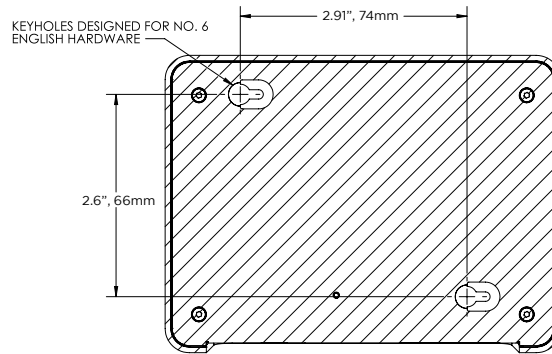
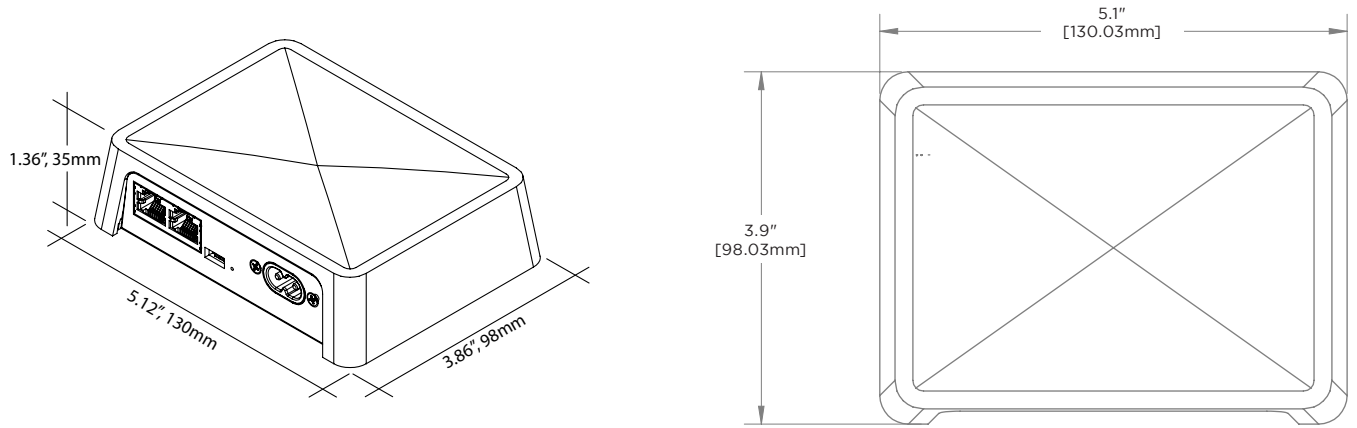
Connections (Class 1)	
AC Power In (Table Top)	IEC C8 Power Connection
AC Power In (Conduit)	18 AWG Flying Leads
Connections (Class 1)	
Connectivity Technology	Wireless, Wired
Data Link Protocol	Ethernet, Fast Ethernet, IEEE 802.11b, IEEE 802.11g
KetraNet Mesh™ Wireless	
USB Port	1 - Micro-B USB console port, for firmware updates



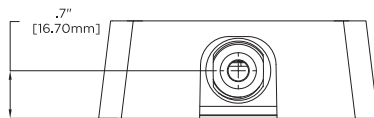
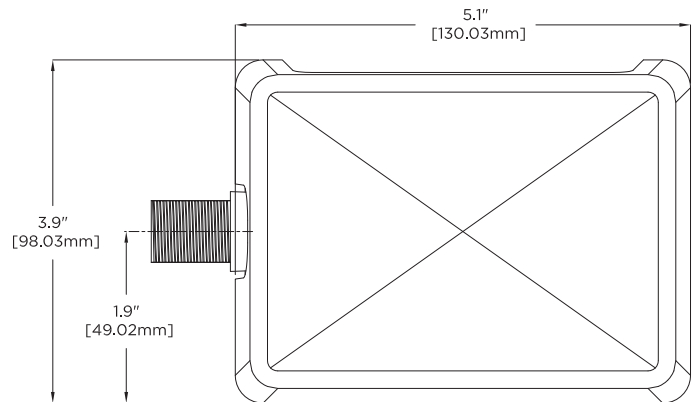
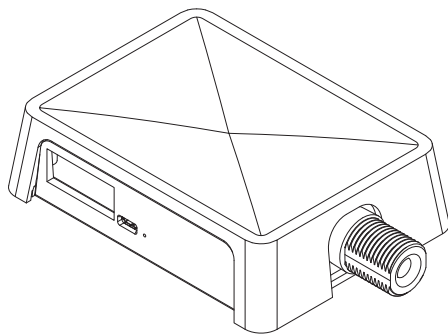
KETRA

N4 HUB

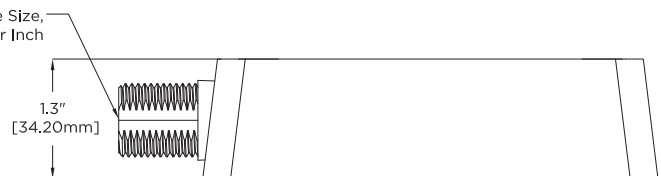
TABLE TOP



CONDUIT MOUNTED



1/2 NPT Pipe Size,
14 Threads Per Inch



770-000024-01-r03
Specifications are subject to change without notice