

### FEATURES

- Contemporary style LED retrofit for existing 2x2 and 2x4 prismatic or parabolic troffers with depth 3-1/8" or greater
- Fully integrated hinged door assembly allows for easy installation and rapid troffer conversion
- Reduces job site waste by reusing existing fixture housing
- High efficiency acrylic center lens features linear prisms for high performance without pixilation
- High performance reflector with matte white paint standard
- Four LED color choices
- Multiple lumen packages
- 60,000 hour LEDs at L80 (up to 150,000 projected life) for reduced maintenance
- Integral battery pack optional on most models
- DesignLights Consortium® (DLC) qualified; see [www.designlights.org](http://www.designlights.org)
- Five year warranty (Terms and Conditions apply)



### ORDERING INFORMATION

SLK					U	
MODEL	SIZE	COLOR TEMP	LUMEN OUTPUT	DRIVER	VOLTAGE	OPTIONS
SLK LED Troffer Conversion Kit	22 2' x 2' 24 2' x 4'	30 3000K 35 3500K 40 4000K 50 5000K	XW Extra Low Watt (2x4 Only) VW Very Low Watt (2x4 Only) MW Medium Low Watt LW Low Watt ML Medium Lumen HL High Lumen VL Very High Lumen (2x2 Only)	E Fixed Output ESD Step Dimming ED 0-10V Dimming	U 120-277 VAC	ELL14 Emergency Battery Pack Installed, 1400 Lumens LSP Lighting Surge Protector <sup>1</sup>

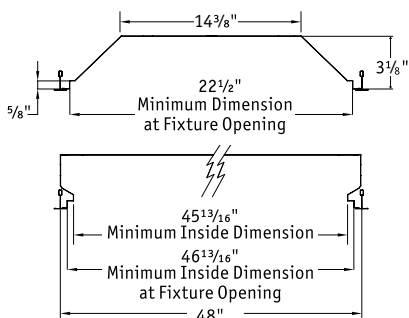
### FOOTNOTES

1. Not available with ESD Step Dimming on 2'x2'.

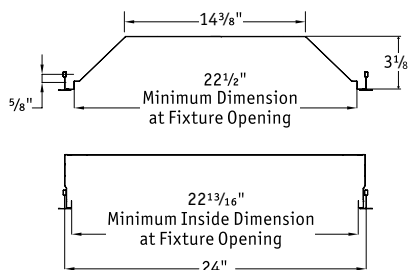
### Fit & Function

Columbia recommends a trial installation prior to ordering project quantities to ensure proper fit. SLK retrofit kits are designed to fit into most parabolic and lensed-recessed troffers with minimum dimensional requirements. SLK retrofit kits are not compatible with air handling units.

#### 2x4 Minimum Dimensions



#### 2x2 Minimum Dimensions



### PRODUCT AVAILABILITY

SIZE	LUMEN PACKAGE	NOMINAL LUMENS	NOMINAL WATTS	LUMENS PER WATT
22	MW	2000-2400	22	90-109
	LW	2500-2800	25	100-112
	ML	2900-3200	28	103-114
	HL	3400-3700	33	103-112
24	VL	4000-4400	43	93-102
	XW	2600-2800	24	108-116
	VW	3200-3500	30	106-116
	MW	3500-3800	33	106-115
24	LW	4100-4500	39	105-115
	ML	4500-4900	46	98-106
	HL	5500-6000	49	112-123

Nominal lumen range represents 3000K through 5000K. Lumens vary according to color temperatures and other factors. See specific photometric test(s).