

MINILITER[®] LED SERIES

Cat.#

Job

Type



HUBBELL
Outdoor Lighting

Approvals

SPECIFICATIONS

Intended Use:

Sign, facade, area, accent and general security lighting

Construction:

- Die-cast aluminum housing and door, rugged, corrosion resistant and compact
- Tempered, impact resistant glass lens
- Tool-free entry for easy maintenance – twin stainless steel latches
- Protective powder paint finish
- Effective Projected Area (EPA) is 1.4 sq. ft.

LED:

- 30 high powered LEDs deliver up to 6200 lumens at 700mA
- Different lenses offer a variety of beam spreads – Narrow (3x3), Medium (3x3), Rectangular (5x5) and Wide (6x6)
- 3000K, 4000K, and 5000K CCT
- Up to 88 LPW
- Minimum operating temperature -40°C/ -40°F

Optical/Electrical

- Silicone lens/door gasket provides positive seal
- Electronic driver 71w system. 0.4 AMPS max, 120-277V, 50/60Hz

Optical/Electrical (cont.)

- 0-10V dimming driver standard, order as special to have dimming leads pulled
- Flat lens protects LEDs and allows debris removal
- Drivers have greater than .90 power factor and less than 20% Total Harmonic Distortion
- 10KA surge protection included

Installation:

- Heavy duty steel yoke with adjustable stainless steel hardware, mounting holes for one center - 3/4" bolt or two side - 3/8" bolts
- Cast aluminum knuckle (MHS-K) slip-fits 2-3/8" OD tenons/pipe, provides concealed wiring for appearance and safety.

Listings:

Listed to UL 1598 for use in wet locations, CSA 22.2 No. 250.0-00, suitable for wet locations. U.S. Patent No. 6,461,026.
• 4K and 5K models meet DesignLights Consortium (DLC) qualifications, consult DLC website for more details:
<http://www.designlights.org/QPL>

Warranty:

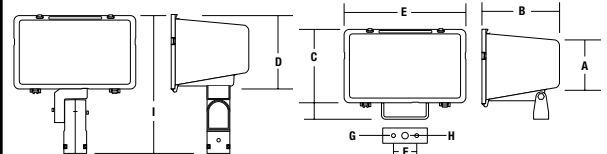
For more information visit:
<http://www.hubbelloutdoor.com/resources/warranty/>

PRODUCT IMAGE(S)



MHS YOKE MOUNT

DIMENSIONS



MHS KNUCKLE MOUNT

MHS YOKE MOUNT

A	B	C	D	E	F	G	H	I
6 1/2"	14 1/2"	12"	9 7/8"	16 1/4"	3 1/8"	17/32"	7/8"	17"
165 mm	368 mm	305 mm	251 mm	413 mm	79 mm	14 mm	22 mm	432 mm

SHIPPING INFORMATION

Catalog Number	G.W(kg)/CTN	Carton Dimensions		
		Length Inch (cm)	Width Inch (cm)	Height Inch (cm)
MHS-Y	20 (9.1)	17 (43)	14.5 (36.8)	14.5 (36.8)
MHS-K	25 (11.4)	17 (43)	14.5 (36.8)	14.5 (36.8)

CERTIFICATIONS/LISTINGS



ORDERING INFORMATION

ORDERING EXAMPLE: MHS-Y-30LU-5K-W-BZ



FAMILY	MOUNTING	# LEDs	VOLTAGE ¹	LED COLOR ²	BEAM	DRIVE CURRENT	FIXTURE COLOR	PC	OPTIONS
MHS	Y Yoke K Knuckle	30L	U 120V-277V 1 120V 2 208V 3 240V 4 277V 5 480V F 347V	3K ² 3000K 4K 4000K 5K 5000K	N Narrow (Narrow 3x3) M Medium (Wide 3x3) RM Rectangular (5x5) W Wide (Wide 6x6)	BLANK 700mA	BZ Bronze BL Black WH White GR Gray PS Platinum CC Custom Color	PC ¹ Photo control (voltage specified and determined by voltage field) PR Twist lock PC receptacle	F ¹ Fusing (voltage specified and determined by voltage field)

1 - Specify voltage for PC and Fusing options

2 - DLC qualification 4K and 5K models only

PERFORMANCE DATA

# OF LEDS	DRIVE CURRENT	SYSTEM WATTS	DIST. TYPE	NEMA	FIELD ANGLE H° x V°	5K (5000K nominal, 67 CRI)			4K (4000K nominal, 70 CRI)			3K (3000K nominal, 80 CRI)		
						LUMENS	LPW ¹	MAX BEAM CANDLEPOWER	LUMENS	LPW ¹	MAX BEAM CANDLEPOWER	LUMENS	LPW ¹	MAX BEAM CANDLEPOWER
30	700mA	71w	N	3 x 3	33° x 33°	6045	85	45341	5530	79	43674	4500	64	34958
			M	3 x 3	40° x 40°	6233	88	24530	5996	86	23391	4632	65	19018
			RM	5 x 5	99° x 80°	5575	79	9246	5163	74	9514	4079	58	7146
			W	6 x 6	107° x 105°	6164	87	4559	5792	82	4538	4468	63	3755

Lumen values are from photometric tests performed in accordance with IESNA LM-79-08. Data is considered to be representative of the configurations shown. Actual performance may differ as a result of end-user environment and application.

ELECTRICAL DATA

# OF LEDS	DRIVE CURRENT (mA)	INPUT VOLTAGE (V)	SYSTEM POWER (w)	CURRENT (Amps)
30	STD. 700mA	120	70	0.56
		277	70	0.26

LUMINAIRE AMBIENT TEMPERATURE FACTOR (LATF)

AMBIENT TEMPERATURE	LUMEN MULTIPLIER
0° C	1.02
10° C	1.01
20° C	1.00
25° C	1.00
30° C	1.00
40° C	0.99
50° C	0.98

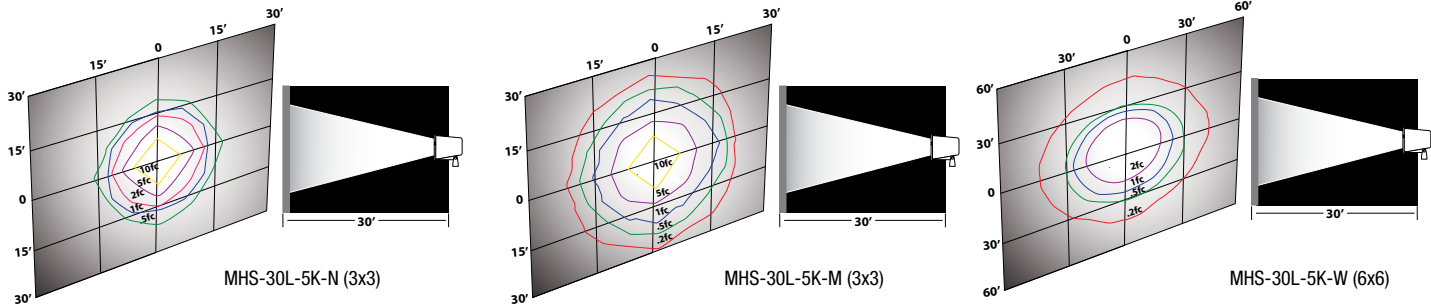
Use these factors to determine relative lumen output for average ambient temperatures from 0-40°C (32-104°F).

PROJECTED LUMEN MAINTENANCE

Ambient Temp.	OPERATING HOURS					L70 (hours)
	0	25,000	50,000	TM-21-11 ¹ L96 60,000	100,000	
25°C / 77°F	1.00	0.98	0.96	0.96	0.94	>696,000
40°C / 104°F	0.99	0.96	0.95	0.94	0.92	>565,000

1. Projected per IESNA TM-21-11 * (Nichia 219B, 700mA, 85°C Ts, 10,000hrs)
Data references the extrapolated performance projections for the MHS base model in a 40°C ambient, based on 10,000 hours of LED testing per IESNA LM-80-08.

PHOTOMETRICS For additional photometric information and IES downloads, visit our web site at www.hubbelloutdoor.com



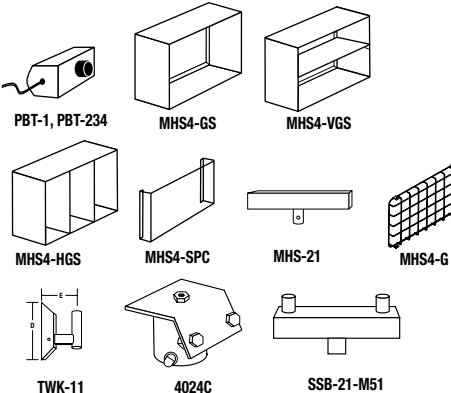
ACCESSORIES - Order Separately

Catalog Number	Description
PBT-1	Photocontrol, button type, 120V
PBT-234	Photocontrol, button type, 208, 240, 277V
MHS4-SPC	Polycarbonate shield (for independent use only)
MHS4-G	Wire guard, 2" square grid (for independent use only)
4024C	Steel slipfitter for 2" pipe, 2 3/8" OD yoke mount, bronze finish
MHS4-GS	Glare shield, black finish (for independent use only)
MHS4-VGS	Vertical glare shield, black finish (for independent use only)
MHS4-HGS	Horizontal glare shield, black finish (for independent use only)
MHS-21	Two light bracket, bolt on yoke mount, slipfits 2 3/8" OD tenons, bronze finish
SSB-21-M51	Two light bracket, knuckle mount units, slipfits 2 3/8" OD tenons, bronze finish
TWK-11	Steel wall bracket with 2 3/8" tenon, bronze finish (use with MHS-K)

REPLACEMENT PARTS - Order Separately

Catalog Number	Description
93011267	Replacement lens door
93044764	40w driver
93022563	10KA surge protector
REP30LX ¹ KX ² PS	30LED replacement module

1 - Replace X with CCT (3= 3000K, 4= 4200K, 5= 5100K)
2 - Replace X with Distribution (N= 2x2, M= 4x4, RM= 5x3, W= 6x6)



LIGHTING FACTS

Hubbell Outdoor Lighting

Lighting facts®

A Program of the U.S. DOE

Light Output (Lumens) 5236

Watts 70.7

Lumens per Watt (Efficacy) 74

Color Accuracy 74

Color Rendering Index (CRI)

Light Color 4100 (Bright White)

Correlated Color Temperature (CCT)

2700K 3000K 4500K 6500K

All results are according to IESNA LM-79-2008 - Approved Method for the Electrical and Photometric Testing of Solid State Lighting. The U.S. Department of Energy (DOE) verifies product test data and results.

Visit www.lightingfacts.com for the Label Reference Guide.

Registration Number: A29K-BF63P (2/3/2014)
Model Number: MHS-K-30L-4-4K-IRM
Type: Luminaire - Directional



Hubbell Outdoor Lighting • 701 Millennium Boulevard • Greenville, SC 29607 • Phone: 864-678-1000

Due to our continued efforts to improve our products, product specifications are subject to change without notice.

© 2015 HUBBELL OUTDOOR LIGHTING, All Rights Reserved • For more information visit our website: www.hubbelloutdoor.com • Printed in USA

MHSLED-SPEC 4/15