

# LED HID Replacement: Horizontal

## features



20-40  
watts

2,800-  
5,600  
lumens

140  
lpw

E39  
base

- LED replacement for high wattage HID fixtures from 100W to 250W
- Consumes up to 80% less energy than conventional HID systems
- State-of-the-art LED light sources deliver over 140 lumens per watt
- Rotatable base provides precision aiming
- Lasts 3x longer than metal halide or HPS HID lamps
- Choice of 4000K or 5000K CCT
- Shatter resistant for reduced risk of injury & breakage
- Integral driver, eliminates the need for external driver or ballast
- Environmentally friendly: contains no glass, mercury, or lead
- Suitable for use in totally enclosed fixtures
- DLC v4.0 Listed



## performance

- 4000K, 5000K
- 140 lpw
- 180° beam angle
- 80+ CRI
- 50,000 hour life @ L70
- Direct line voltage 100-277V - not compatible with ballasts
- Power Factor > 0.9
- Non-dimmable
- Horizontal mounting position
- UL1598C – Existing fixtures retain UL certification
- cULus - damp location rated
- Operating temperature: -40°F to 140°F (-40°C to 60°C)
- Built-in 4kV surge protection included

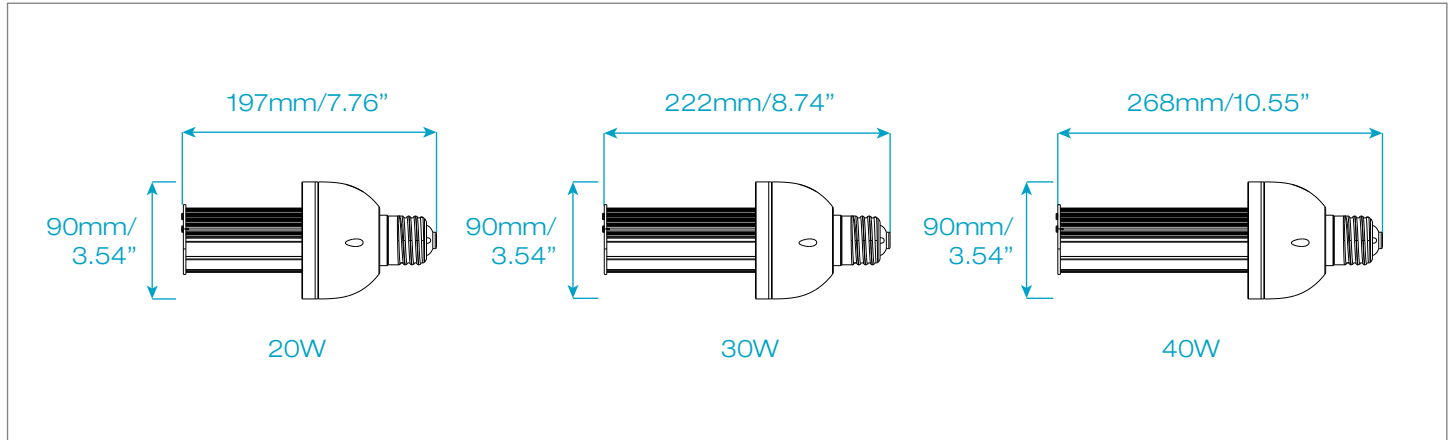
## applications

- Industrial
- Commercial



# LED HID Replacement: Horizontal

## dimensions



## ordering information

Order Code	Item #	Lm	W	CCT	CRI	V	Life/Hrs L70	Base	Bm	MOL in/mm	MOD in/mm	Replaces HID	DLC v4.0
<b>09402</b>	LED20WPT/180/40KMOG-G7	2,700	20W	4000K	80+	100-277V	50K	E39	180°	7.76/197	3.54/90	100W	✓
<b>09403</b>	LED20WPT/180/50KMOG-G7	2,800	20W	5000K	80+	100-277V	50K	E39	180°	7.76/197	3.54/90	100W	✓
<b>09404</b>	LED30WPT/180/40KMOG-G7	4,050	30W	4000K	80+	100-277V	50K	E39	180°	8.74/222	3.54/90	175W	✓
<b>09405</b>	LED30WPT/180/50KMOG-G7	4,200	30W	5000K	80+	100-277V	50K	E39	180°	8.74/222	3.54/90	175W	✓
<b>09406</b>	LED40WPT/180/40KMOG-G7	5,400	40W	4000K	80+	100-277V	50K	E39	180°	10.55/268	3.54/90	250W	✓
<b>09407</b>	LED40WPT/180/50KMOG-G7	5,600	40W	5000K	80+	100-277V	50K	E39	180°	10.55/268	3.54/90	250W	✓

NOTE: use order code when ordering.

✓ DesignLights Consortium® v4.0 Qualified

watch > like > follow

