



KT-LED62P-H-8xx-D

2-PIN LED LAMP

DESCRIPTION

6W 2-Pin LED Lamp | 2700K, 3000K, 3500K, 4000K, 5000K | ≥ 83 CRI
Line Voltage Compatible



LAMP TYPE: Compact
BULB TYPE: 2-Pin LED
BASE TYPE: Gx23
WATTAGE: 6W
COLOR TEMPERATURE: 2700K, 3000K, 3500K, 4000K, 5000K
COLOR RENDERING INDEX (CRI): ≥ 83
WARRANTY: 5 Years



PRODUCT FEATURES

- Replaces 13W Gx23 CFL Lamps
- 50,000+ Hour Lifetime
- Approximately 50% More Energy Efficient than Traditional CFL Lamps
- Environmentally Friendly: No Mercury Used
- Instant Startup
- Frosted Lens Eliminates Pixelation
- UL Classified
- Operating Temperature: -20°C/-4°F to 45°C/113°F
- Up to 5x Longer Life than Traditional CFL Lamps
- Non-Dimmable
- Rotatable 270°

OPERATING SPECIFICATIONS

ELECTRICAL CHARACTERISTICS

Input Voltage	Lamp Wattage	Power Factor
120-277V	6W	>0.9

PHOTOMETRIC CHARACTERISTICS

Color Temperature (CCT)	2700K	3000K	3500K	4000K	5000K
Luminous Flux	500 lm	500 lm	500 lm	550 lm	550 lm
Color Rendering Index (CRI)	≥ 83	≥ 83	≥ 83	≥ 83	≥ 83
Bare Lamp Efficacy	83 lm/W	83 lm/W	83 lm/W	92 lm/W	92 lm/W
Beam Angle	>120°	>120°	>120°	>120°	>120°
LED Quantity	21	21	21	21	21

RATED LIFE

L70 (Hours)	50,000
-------------	--------



KT-LED62P-H-8xx-D

2-PIN LED LAMP

WIRING

BYPASS MAGNETIC BALLAST WITH 1 LAMP (Gx23 SOCKET)

BEFORE

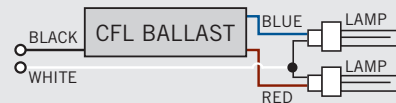


AFTER



BYPASS MAGNETIC BALLAST WITH 2 LAMPS (Gx23 SOCKET)

BEFORE

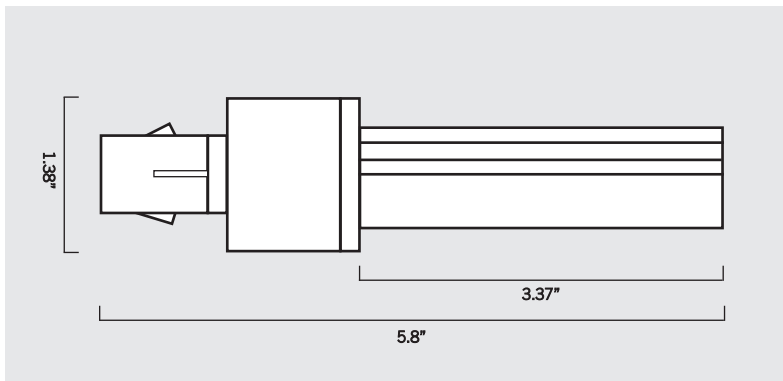


AFTER



PHYSICAL CHARACTERISTICS

LAMP DIMENSIONS



ORDERING INFORMATION

ORDER CODE	PACKAGING STYLE	PACK QTY.	ITEM STATUS
KT-LED62P-H-8xx-D-DP	Distributor Pack	10	Quick Ship

CATALOG NUMBER BREAKDOWN

KT-LED62P-H-8xx-D

